

POLY CAFS SL35 / SL50 Trolley



POLY CAFS - the most efficient & effective extinguishing system available for extended rapid response!

What makes POLY CAFS that effective?

Maximum extinguishing capability. The combination of CAFS (Compressed Air Foam System) and high-quality AFFF (Aqueous Film Forming Foam), provides both, an excellent extinguishing capability and a superior back flash resistance. The “vertical film” effect by the sticky AFFF-CAFoam keeps the agent where it should cool and seal - even on vertical surfaces of 3-dimensional fires. To sum it up: the “vertical film” combines outstanding foam stability, perfect cooling and film forming – all in one.

Larger operating range. A throw range of more than 16 m (compared to approx. 10 m or less with common foam and dry chem extinguishers) allows a safe use from the distance. Responsible for that excellent throw range is the “high speed foam”. The Rosenbauer POLY CAFS nozzle is designed to dramatically increase the agent velocity. The extremely low operating weight of 76 kg (SL35) or 94 kg (SL50) and the ergonomic handle bars enable two users to transport the trolleys on stairs easily. The unit carries 20 m of the non collapsible, fully kink resistant, light weight special textile hose, designed for maximum manoeuvrability.

Extremely easy to use. Simply open the SCBA cylinder-valve and pull the trigger of the nozzle. The system is fully operational in less than 5 sec.

Easy to recharge and no maintenance. The operator can refill the agent tank in less than 2 min. No tools are required. Standard SCBA cylinders are used for expelling and CAF expansion and last (in case of 300 bar cylinders) for two fillings.

Technical advantages:

- “Vertical film” by AFFF-CAFS
- Activation in less than 5 sec
- Extremely easy to use
- “High speed foam” with throw range of more than 16 m
- Weight of only 76 kg (SL35) and 94 kg (SL50) when filled
- 20 m special light weight hose
- -30 °C frost protection possible
- More efficient & effective than common foam or dry chem extinguishers

Areas of use:

Fire brigades

Are able to dramatically increase quick intervention capability. Can be pre-positioned at hot spots and generally used in all types of fire trucks.

Industry

Shall be used in any fire hazardous area especially in high risk and heavy fire-load sections (e.g.: paints, plastics, rubber, oil, grease, fuel, hydraulic oils, etc.)

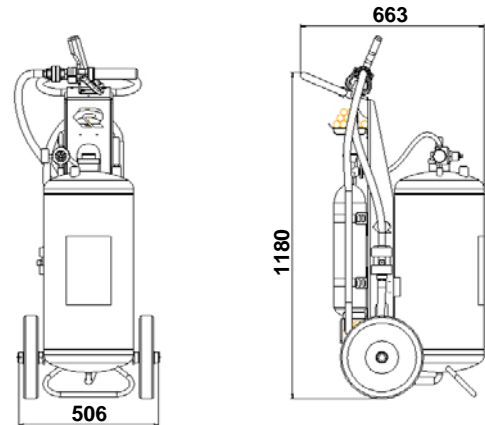


40 boxes, fully engulfed (8 min)

11 sec extinguishing time, 5 l agent used

Scope of delivery:

POLY CAFS installations are ready for operation after filling the tank and the compressed air cylinder. **Tank** is made from stainless steel, with safety valve, painted in red RAL 3000, portable/mobile frame, **SCBA cylinder** per customer's choice, **pressure regulator** with operating pressure gauge, **20 m special light weight hose**, **POLY CAFS hand held branchpipe**.



Technical data:

Type

Tank capacity:

Max. flow rate:

Max. throw range:

Hose:

Hose weight:

Dimensions:

Weight filled:

Operating pressure:

Cylinder pressure:

Operating temperature AFFF 1%:

Operating temperature AFFF AB-30:

SL35 CAFS

35 l

approx. 25 l/min

> 16 m

20 m / 19 mm inside Ø

0,185 kg/m

663 x 506 x 1180 mm

approx. 76 kg

7 bar

200 or 300 bar

+ 5 to + 40 °C

- 30 to + 40 °C

SL50 CAFS

50 l

approx. 25 l/min

> 16 m

20 m / 19 mm inside Ø

0,185 kg/m

663 x 506 x 1180 mm

approx. 94 kg

7 bar

200 or 300 bar

+ 5 to + 40 °C

- 30 to + 40 °C

Operation:

- 1.) Open SCBA cylinder valve
- 2.) Take the hose
- 3.) Point the nozzle to the fire
- 4.) Pull the trigger of the nozzle.



Types of SCBA cylinder:

For 1 filling: 4 l, steel, 200 bar

For 2 fillings: 6 l, steel, 300 bar or 6,8 l, composite, 300 bar

How to move on stairs:



One man operation on wheels



Two man operation with ergonomic handle bars

ROSENBAUER INTERNATIONAL Aktiengesellschaft
4060 Leonding, Paschinger Straße 90 AUSTRIA

Tel.: + 43 (0)70 6794-0

Fax: + 43 (0)70 6794-91

E-Mail: office@rosenbauer.com

<http://www.rosenbauer.com>

Text and illustrations are not binding. The illustrations may show optional extras only available at extra charge. Rosenbauer retains the right to alter specifications and dimensions given here in without prior notice