

Because of their relatively light weights and extremely compact dimensions, the POLY SL100 installations are one of the most frequently sold installations for rapid intervention. The installations are built modularly. The components can be assembled individually.



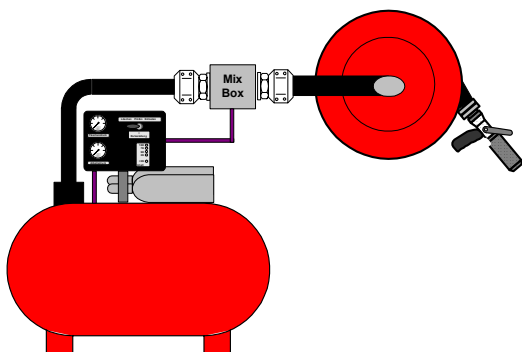
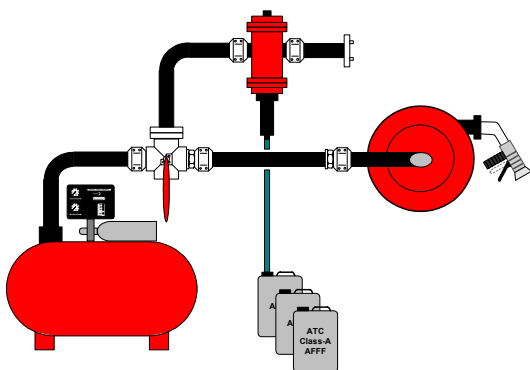
Fields of Application

The SL100 are used mostly as primary extinguishing apparatus on rapid intervention vehicles, more generally as rapid intervention installation on fire appliances, as well as auxiliary extinguishing equipment for rescue vehicles. More and more companies are also using these extinguishing installations as an efficient and easy-to-operate instrument for fighting initial fires on company premises. With the installation either stationary or mounted on a variety of hand-trucks, the operating personnel is able to tackle, quickly and safely, fires that otherwise could lead to unimagined catastrophes.

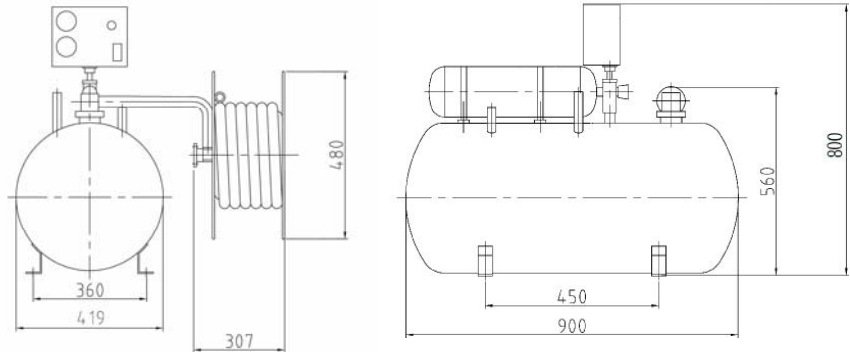
Concept

POLY SL100 AFFF with external water supply - described below - is the result of the priority requirements expressed to us by the firefighting services; That concept now enables the use to continue fire-fighting after emptying the tank and still using the same hose and nozzle. For this an external water supply is connected to the KYROS VALVE; once the tank has been emptied, the valve is switched over and foam compound concentrate is admixed by Firedos. KYROS VALVE and respectively Firedos are the needed components to realise this external supply.

POLY SL100 CAFS-LT are designed without any compressor. The compressed air is needed for both the use as propellant and the CAF (compressed air foam)-production. This construction minimises weight and costs. Furthermore very compact installations can easily be integrated in various dimensions.



Technical Data



Type:	SL100 AFFF	SL100 CAFS-LT
Tank capacity:	100 l	100 l
Max. flow rates:	approx. 65 l/min	approx. 35 l/min
Max. throw range:	approx. 18 m	approx. 16 m
Hose:	40 m / 19 mm inside Ø	50 m / 25 mm inside Ø
Length-Width-Height (without hose reel, with instrument box):	approx. 900 x 419 x 800 mm	approx. 900 x 419 x 800 mm
(without hose reel, without b.a. cylinder and instrument box):	approx. 900 x 419 x 560 mm	approx. 900 x 419 x 560 mm
Weight filled:	approx. 175 kg	approx. 230 kg
Operating pressure:	8 bar	8 bar
Cylinder pressure:	200 / 300 bar (fixed by order)	200 / 300 bar (fixed by order)
Operation temperature:	+ 5 to + 40 °C	+ 5 to + 40 °C
Power supply for level indicator:	6 - 30 V	6 - 30 V

By inquiry, you get some information about other special extinguishing agents for polar liquids or class A with integrated frost protection.

Scope of Delivery

POLY foam extinguishing installations are usually supplied ready for action and unfilled. All that needs to be done on the SL100 is to mount the hose reel in the appropriate location, to fill the tank with 1% AFFF and 99% water (pay attention to the filling instruction), and to fill the compressed-air cylinder.

Tank made from stainless steel with safety device, RAL 3000 varnish

Compressed-air cylinder 4 l with 200 bar filling pressure or 6.8 l with 300 bar filling pressure

Instrumentation box, with electronic level indicator (12/24 V); depending on the mounting position of the extinguishing-agent tank it can be locked steplessly into position. The instrumentation box and the b.a. cylinder can be mounted as a single unit elsewhere beside the tank

Standard hose reel, 40 m hose or 50 m special textile hose at CAFS

POLY nozzle

ROSENBAUER INTERNATIONAL Aktiengesellschaft
4060 Leonding, Paschinger Straße 90 AUSTRIA

Tel.: + 43 (0)70 6794-0
Fax : + 43 (0)70 6794-91
E-Mail: office@rosenbauer.com
<http://www.rosenbauer.com>

Text and illustrations are not binding. The illustrations may show optional extras only available at extra charge. Rosenbauer retains the right to alter specifications and dimensions given here in without prior notice.