

# Reliable®

## Model XL Quick Response Commercial Sprinklers

### Quick Response Commercial Sprinklers Available:

**Model XL Commercial Pendent  
(SIN R4514)**

**Model XL Commercial Horizontal Sidewall  
(SIN R4534)**

### Features

1. Quick response performance.
2. Temperature rating : 165°F (75°C).
3. Commercial applications:  
Light and Ordinary hazard (Per NFPA 13).
4. Standard finishes : bright chrome plated  
and white painted.

### Listings & Approvals

1. Listed by Underwriters Laboratories, Inc.  
Certified for Canada (cULus)
2. NYC MEA 258-93-E
3. Loss Prevention Certification Board (LPCB, UK)

The sprinkler is approved for life safety applications.

### UL Guide Number

VNIV

### UL Listing Category

Sprinklers, Automatic & Open  
Quick Response Sprinklers

### U.S. Patent Number 6,554,077

### Product Description

The Model XL Commercial is a quick response sprinkler. It is a fusible solder link type automatic sprinkler designed for standard coverage applications. These sprinklers have demonstrated response time in laboratory tests which is five to ten times faster than standard response sprinklers.

The quick response feature enables the Model XL Commercial Sprinklers to apply water to a fire much faster than standard response sprinklers of the same temperature rating.

Modern architectural designs require sprinklers that provide not only the best fire protection, but also an attractive appearance. The Model XL Commercial meets both criteria. The flush style of this sprinkler provides for an aesthetically pleasing installation by concealing the entire sprinkler operating parts with the exception of the heat sensing link.



Model XL Commercial Pendent Sprinkler



Model XL Commercial  
Horizontal Sidewall Sprinkler

Only when the solder of the sensing link melts does the operating mechanism release, allowing the deflector to be extended for distributing the discharging water. The Model XL Commercial has been designed for use in facilities such as office buildings.

### Application and Installation

All Model XL Commercial sprinklers are UL Listed for use with the following types of fire protection systems: wet, dry, or preaction. Care must be exercised that orifice size, temperature rating, and sprinkler spacing are in accordance with this bulletin and the latest published standards of the National Fire Protection Association or the approving Authority Having Jurisdiction. Quick response sprinklers are intended for standard area coverage and standard water densities as specified in NFPA 13. Quick response sprinklers and standard response sprinklers should not be intermixed.

These sprinklers must be installed with a Reliable Model ZX Sprinkler Wrench. The sprinkler is designed to allow wrenching with the shipping cap installed, thereby providing further protection. Any other type of wrench may damage the sprinkler. Shipping caps should be removed only after walls and ceilings are finished and when escutcheons are being installed. When the Model XL Commercial Sprinklers are ordered, sprinklers and escutcheons are packaged separately. The Model XL Commercial escutcheon is the only escutcheon that can be used with this sprinkler. The use of any other escutcheon will void all approvals and negate all warranties. Also, each installed sprinkler must include an escutcheon.

Use care to avoid damaging the sprinklers before, during and after installation. Install them according to Caution Sheet CA-132, and inspect all installed sprinklers to insure that they have not been damaged. Replace all sprinklers which have any sign of damage.

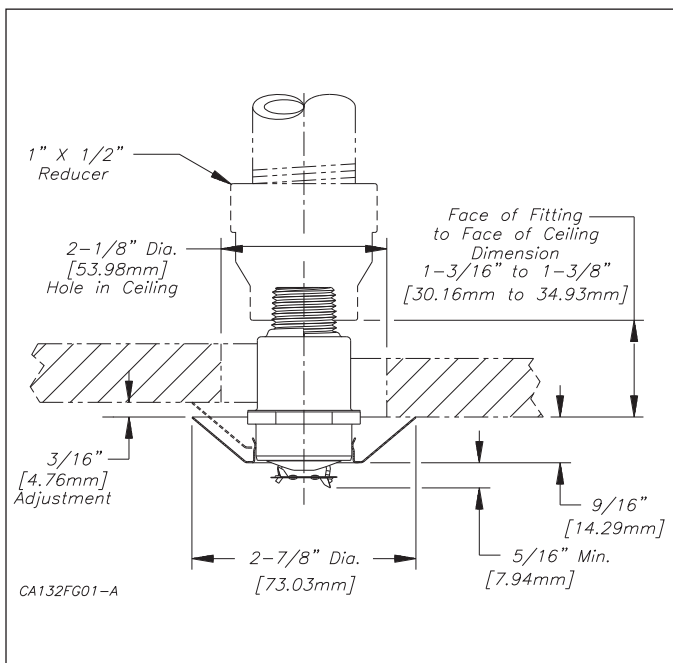
Misuse of or tampering with Reliable Commercial Sprinklers which leads to property damage or personal injury, including death, as a result of dismantling or modifying this product for use unrelated to the intended use, shall not become the responsibility of The Reliable Automatic Sprinkler Co., Inc.

### Model XL Commercial Sprinklers Temperature Data:

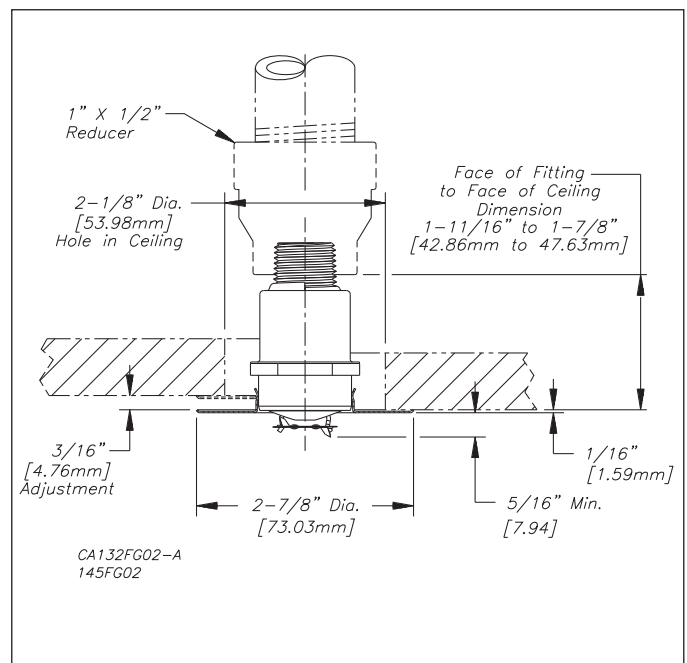
Temperature Rating	Sprinkler Rating		Maximum Ceiling Temp.	
	°F	°C	°F	°C
Ordinary	165	74	100	38

### Installation Data:

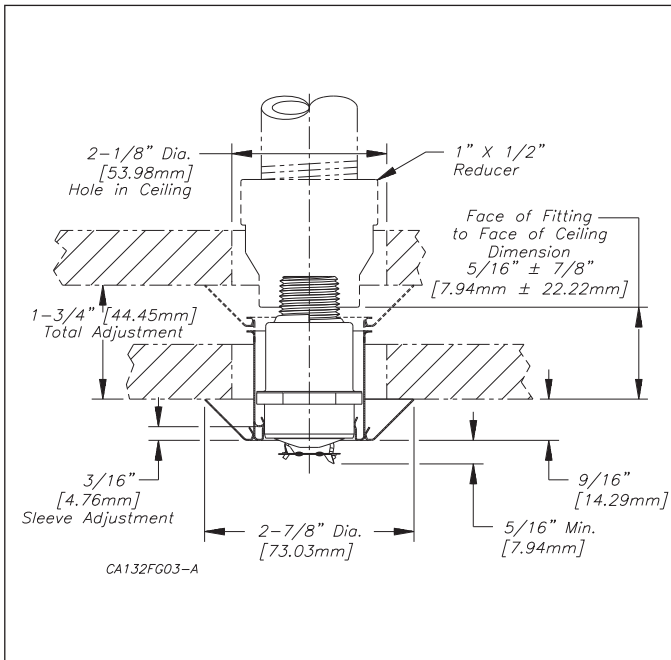
Sprinkler Type Quick Response, 1/2" NPT Thread	K Factor		Deflector to Ceiling Distance Min. to Max. in. (mm)	Sprinkler Height	Sprinkler Identification Number (SIN)
	US	Metric			
Pendent Commercial	5.6	80	-----	2 9/16"	R4514



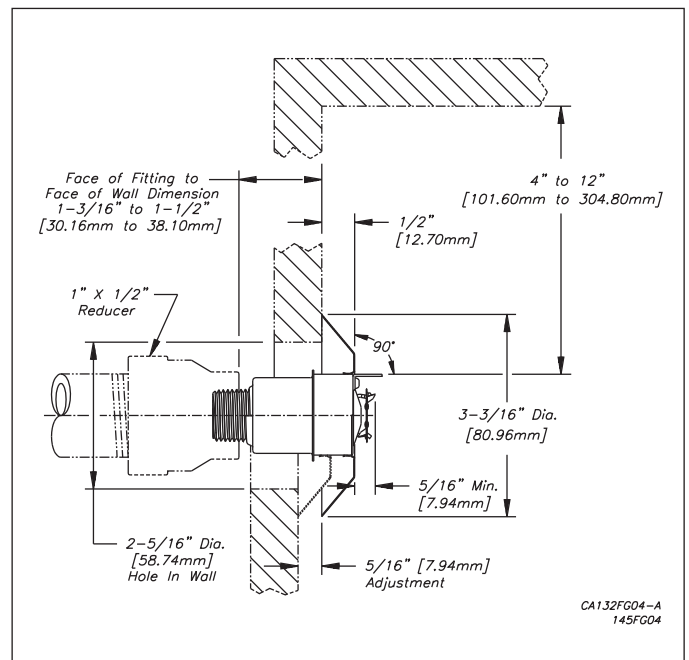
Model XL Commercial, QR,  
Conical Escutcheon, Pendent Sprinkler



Model XL Commercial, QR,  
Flat Escutcheon, Pendent Sprinkler



Model XL Commercial, QR,  
Two Pcs. Addition Escutcheon, Pendent Sprinkler



Model XL Commercial, QR,  
Conical Escutcheon, Sidewall Sprinkler

## Finishes:

Finishes <sup>(1)</sup>	
Sprinkler	Escutcheon
Silver Painted <sup>(2)</sup>	Bright Chrome Plated
	Dull Chrome Plated
White Painted <sup>(2)</sup>	White Painted

<sup>(1)</sup> Other finishes and colors available on special order.  
Consult factory for details.

<sup>(2)</sup> Sprinkler components are Bright Chrome only.  
Link is painted Silver or White.

## Installation Tools

- Model ZX Pendent or Sidewall Sprinkler Wrench

## Sprinkler Markings

- On XL Commercial Pendent Sprinkler body:**  
RASCO XL QR K= 5.6 R4514 Pend
- On XL Commercial HSW Sprinkler deflector:**  
RASCO XL QR K= 5.6 R4534 HSW

## Maintenance

Model XL Commercial Sprinklers should be inspected quarterly, and the sprinkler system maintained in accordance with NFPA 25. Do not clean the sprinklers with soap and water, ammonia or other cleaning fluids. Remove any sprinkler which has been painted (other than factory applied) or damaged in any way. A stock of spare sprinklers must be maintained to allow quick replacement of damaged or operated sprinklers, in accordance with NFPA requirements.

## Ordering information

### Specify:

- Model Type
- Escutcheon Type
- Sprinkler Finish <sup>(1)</sup>
- Escutcheon Finish

(Note: Sprinklers and Escutcheon are packaged separately.)

<sup>(1)</sup> Sprinkler components are Bright Chrome only.  
Link is painted Silver or White.

# Reliable...For Complete Protection

Reliable offers a wide selection of sprinkler components. Following are some of the many precision-made Reliable products that guard life and property from fire around the clock.

- Automatic sprinklers
- Flush automatic sprinklers
- Recessed automatic sprinklers
- Concealed automatic sprinklers
- Adjustable automatic sprinklers
- Dry automatic sprinklers
- Intermediate level systems
- Open sprinklers
- Spray nozzles
- Alarm valves
- Retarding chambers
- Dry pipe valves
- Accelerators for dry pipe valves
- Mechanical sprinkler alarms
- Deluge valves
- Detector check valves
- Check valves
- Electrical system
- Sprinkler emergency enclosures
- Sprinkler wrenches
- Sprinkler escutcheons and guards
- Inspectors test connections
- Sight drains
- Ball drips and drum drips
- Control valve seals
- Air maintenance devices
- Air compressors
- Pressure gauges

---

The equipment presented in this bulletin is to be installed in accordance with the latest pertinent Standards of the National Fire Protection Association, Factory Mutual Research Corporation, or other similar organizations and also with the provisions of governmental codes or ordinances whenever applicable.

Products manufactured and distributed by Reliable have been protecting life and property for over 80 years, and are installed and serviced by the most highly qualified and reputable sprinkler contractors located throughout the United States, Canada and foreign countries.

---

Manufactured by

**Reliable**<sup>®</sup>

**The Reliable Automatic Sprinkler Co., Inc.**

(800) 431-1588  
(800) 848-6051  
(914) 829-2042  
[www.reliablesprinkler.com](http://www.reliablesprinkler.com)

Sales Offices  
Sales Fax  
Corporate Offices  
Internet Address



Revision lines indicate updated or new data.  
EG. Printed in U.S.A. 07/08 P/N 9999970233