

Reliable®

Model G4A Quick Response Concealed Automatic Sprinkler

The Concealer®

UL Quick Response

FM Standard Response

Concealed Sprinkler With a ½" (13mm) Non-Adjustable Model G4A, K2.8 or 1½" (38mm) Adjustment Model G4A, K2.8, K4.2 K5.6 Sprinkler types

For non adjustable K5.6 and K4.2 type sprinklers refer to Bulletin 034 for Technical Specification and Approvals

Features

1. Cover plate attachment (Plain or Perforated) with ½" (13mm) assembly adjustment.
2. Smooth aesthetic ceiling profile.
3. Factory installed protective cap.
4. Available in brass, chrome or black plated and white painted finishes.
5. Ordinary temperature rating.
6. Multiple orifices for design flexibility.

Approvals & Listings

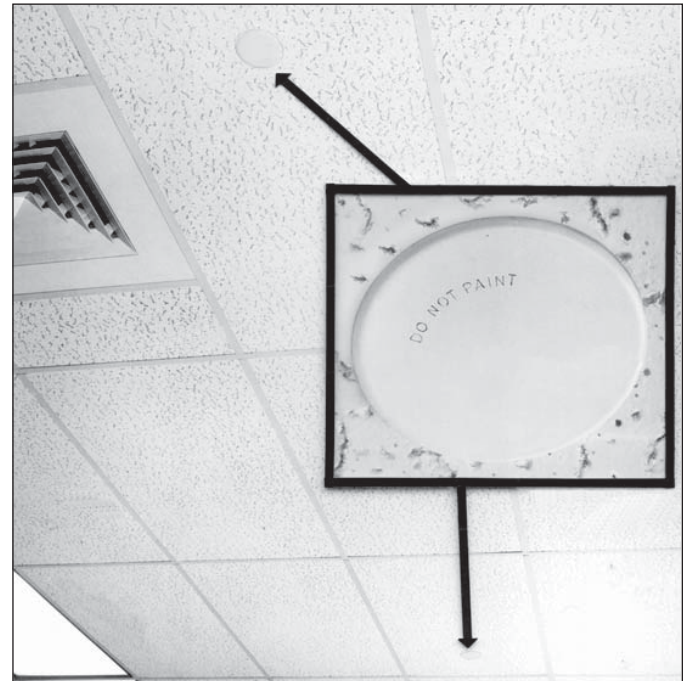
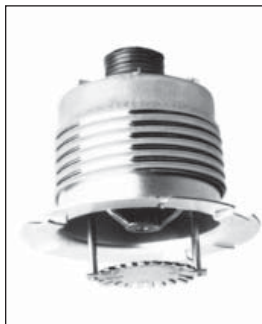
1. Underwriters Laboratories, Inc. (UL) - Quick Response
2. Underwriters Laboratories of Canada (ULC) - Quick Response
3. Factory Mutual Research Corp. (FM) - Standard Response
 - Light Hazard Occupancies- No Limitations
 - Ordinary Hazard Occupancies Groups 1 & 2 Wet Systems Only
4. NYC MEA 258-93-E - Quick Response

**U.S. Patent number
4,880,063.**

Application

The Reliable Model G4A Concealer® is the most versatile quick response concealed sprinkler available. It provides the best form of fire protection while offering an attractive appearance and ½" (13mm) of cover adjustment for ease of installation.

The small diameter cover plate assembly is easily attached and



blends into the ceiling, concealing the most dependable fire protection available, an automatic sprinkler system.

The Model G4A Concealer® is designed for use where aesthetic appearance is important. Offices, hospitals, motels and restaurants are but a few of the applications where it can be used. It is available in different orifice sizes allowing the designer to optimize system performance, thereby achieving a very efficient installation.

The Model G4A Concealer® is a UL Listed Quick Response Concealed sprinkler intended for use in accordance with NFPA 13. FM Approves this sprinkler as a standard response concealed sprinkler intended for use in accordance with FM Loss Prevention Data Sheet 2.0.

Product Description

The Reliable Model G4A Concealer® uses a proven quick response fusible element in a standard style sprinkler frame with a drop-down deflector. This assembly is recessed into the ceiling and concealed by a flat cover plate assembly. The threaded engagement provides ½" (13mm) of cover adjustment. The flat cover plate is attached to the skirt using either 135°F (57°C) or 165°F (74°C) ordinary temperature classification solder.

When the ceiling temperature rises, the solder holding the flat cover plate melts, the flat cover plate released thus exposing the sprinkler inside to the rising ambient temperature.

The subsequent fusing of the element opens the waterway and causes the deflector to distribute the water. Any secure engagement between the cover plate and cup will assure that the drop-down deflector is properly located below the ceiling.

The Reliable Automatic Sprinkler Co., Inc., 103 Fairview Park Drive, Elmsford, New York 10523

Installation

Do not install the G4A Concealer® in ceilings which have positive pressure in the space above.

- Cut a 2⁵/₈ inch (67mm) diameter hole in the ceiling, the sprinkler is easily installed with the Model G4 Wrench. The wrench has drive tangs which insert into the cup slots. When installing a sprinkler the wrench is first positioned into the sprinkler/cup assembly until the wrench tangs engage the drive slots in the top of the cup (there are two sets of drive slots in the cup). The sprinkler is then tightened into the pipe fitting. When inserting or removing the wrench from the sprinkler/cup assembly, care should be taken to prevent damage to the sprinkler. **DO NOT WRENCH ON ANY OTHER PART OF THE SPRINKLER/CUP ASSEMBLY.** Install the cover plate by hand turning the cover in the clockwise direction until it is tight against the ceiling.

A protective cap is provided to protect the drop-down sprinkler deflector from damage which could occur during construction before the cover plate is installed. The cap is factory installed inside the sprinkler cup. Remove cap to install sprinkler, then re-install cap until the cover plate is installed.

Maintenance

The Model G4A Concealer® should be inspected quarterly and the sprinkler system maintained in accordance with NFPA 25. Do not clean sprinklers with soap and water, ammonia or any other cleaning fluids. Remove any sprinkler that has been painted (other than factory applied) or damaged in any way. A stock of spare sprinklers should be maintained to allow quick replacement of damaged or operated sprinklers. Prior to installation, sprinklers should be maintained in the original cartons and packaging to minimize the potential for damage to sprinklers that would cause improper operation or non-operation.

Technical Data

Sprinkler Inlet	Total Adjustment	Nominal Orifice	Nominal K Factor		Thread	Approvals	Sprinkler Identification (SIN)
			US	Metric			
Non Adjustable	1/2" (13mm)	3/8" (10mm)	2.8	40	1/2" NPT (R1/2)	1,2,3,4	R5411
Adjustable	1/2" (13mm)	1/2" (13mm)	5.6	80	1" NPT Male or Female	1,2,3,4	R5418
Adjustable	1 1/2" (38mm)	7/16" (11mm)	4.2	60	1" NPT Male or Female	1,2,4	R5413
Adjustable	1 1/2" (38mm)	3/8" (10mm)	2.8	40	1" NPT Male or Female	1,2,4	R5412

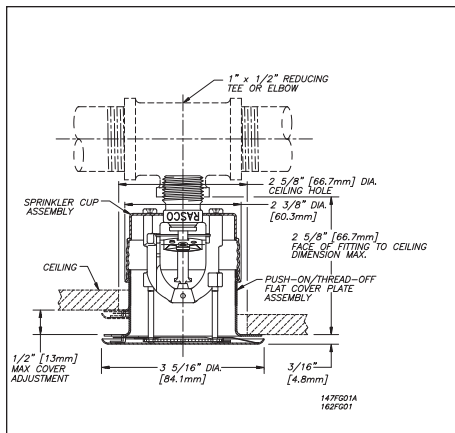


Fig. 1 - 1/2" NPT Non-Adjustable Inlet

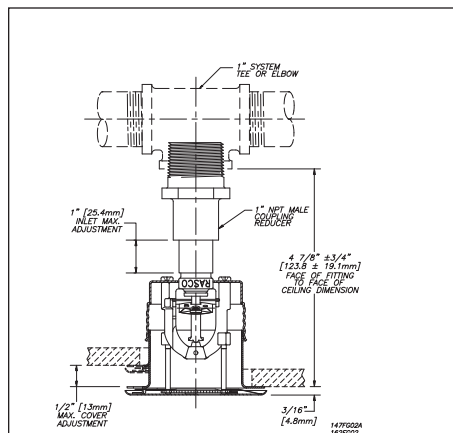


Fig. 2 - 1" NPT Male-Adjustable Inlet

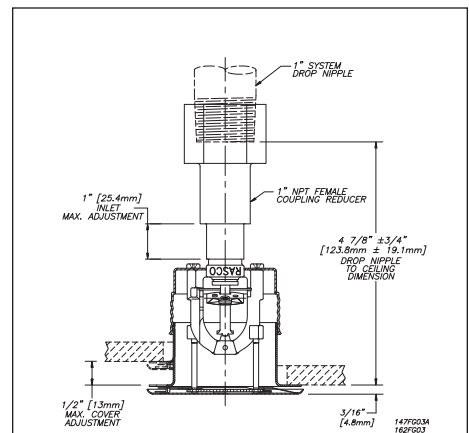


Fig. 3 - 1" NPT Female Adjustable Inlet

The equipment presented in this bulletin is to be installed in accordance with the latest published Standards of the National Fire Protection Association, Factory Mutual Research Corporation, or other similar organizations and also with the provisions of governmental codes or ordinances whenever applicable.

Products manufactured and distributed by Reliable have been protecting life and property for over 90 years, and are installed and serviced by the most highly qualified and reputable sprinkler contractors located throughout the United States, Canada and foreign countries.

Manufactured by



The Reliable Automatic Sprinkler Co., Inc.

(800) 431-1588

(800) 848-6051

(914) 829-2042

www.reliablesprinkler.com

Sales Offices

Sales Fax

Corporate Offices

Internet Address



Recycled Paper

Revision lines indicate updated or new data.

EG. Printed in U.S.A. 07/12

P/N 999970150

Ordering Information

1. Sprinkler Model
2. Nominal Orifice
3. Flat Cover Plate Assembly Finish
4. Inlet Type

Cover Plate Finishes⁽¹⁾

Standard Finishes

Chrome
White Paint

Special Application Finishes⁽²⁾

Bright Brass
Finished Bronze
Black Plating
Black Paint
Off White
Satin Chrome

⁽¹⁾ Other finishes and colors are available on special order. Consult factory for details. Coverplate custom paint is semi-gloss, unless specified otherwise.



Model G4 Sprinkler Wrench

⁽²⁾ For the perforated style coverplate, consult factory for availability on these and other custom finishes.

UL Listing Category

Sprinklers, Automatic and Open

Quick Response Sprinkler

UL Guide Number

VNIV

Temperature Rating

Classification	Sprinkler	Cover Plate	Max. Ambient Temp.
Ordinary	165°F/74°C	135°F/57°C	100°F/38°C
Intermediate	212°F/100°C	165°F/74°C	150°F/66°C