

Reliable®

Model F1FR LO Model F1FR LO Recessed Quick Response Sprinklers

Model F1FR LO Sprinkler Types

Standard Upright
Standard Pendent
Conventional

Model F1FR LO Recessed Sprinkler Types

Recessed Pendent

For Model F1FR ½" K 5.6 (80), 4.2 (60) & 2.8 (40) Sprinkler Types refer to Bulletin 014 for technical specifications and approvals.

Listings & Approvals

1. Listed by Underwriters Laboratories, Inc. (UL)
2. Listed by Underwriters' Laboratories of Canada (ULC)
3. Factory Mutual Approvals (FM)
4. Loss Prevention Council (LPCB, UK)
5. Verband der Schadenversicherer GmbH

UL Listing Category

Sprinklers, Automatic & Open
Quick Response Sprinkler

UL Guide Number

VNIV

Product Description

Reliable Models F1FR LO and F1FR LO Recessed Sprinklers are quick response sprinklers which combine the durability of a standard sprinkler with the attractive low profile of a decorative sprinkler.

The Models F1FR LO and F1FR LO Recessed automatic sprinklers utilize a 3.0 mm frangible glass bulb. These sprinklers have demonstrated response times in laboratory tests which are five to ten times faster than standard response sprinklers. This quick response enables the Model F1FR LO and F1FR LO Recessed sprinklers to apply water to a fire much faster than standard sprinklers of the same temperature rating.

The glass bulb consists of an accurately controlled amount of special fluid hermetically sealed inside a precisely manufactured glass capsule. This glass bulb is specially constructed to provide fast thermal response. The balance of parts are made of brass, copper and beryllium nickel.

At normal temperatures, the glass bulb contains the fluid in both the liquid and vapor phases. The vapor phase can be seen as a small bubble. As heat is applied, the liquid expands, forcing the bubble smaller and smaller as the liquid pressure increases. Continued heating forces the liquid



Upright



Pendent



Conventional



Recessed Pendent
(Model FP Shown)

to push out against the bulb, causing the glass to shatter, opening the waterway and allowing the deflector to distribute the discharging water.

The temperature rating of the sprinkler is identified by the color of the glass bulb.

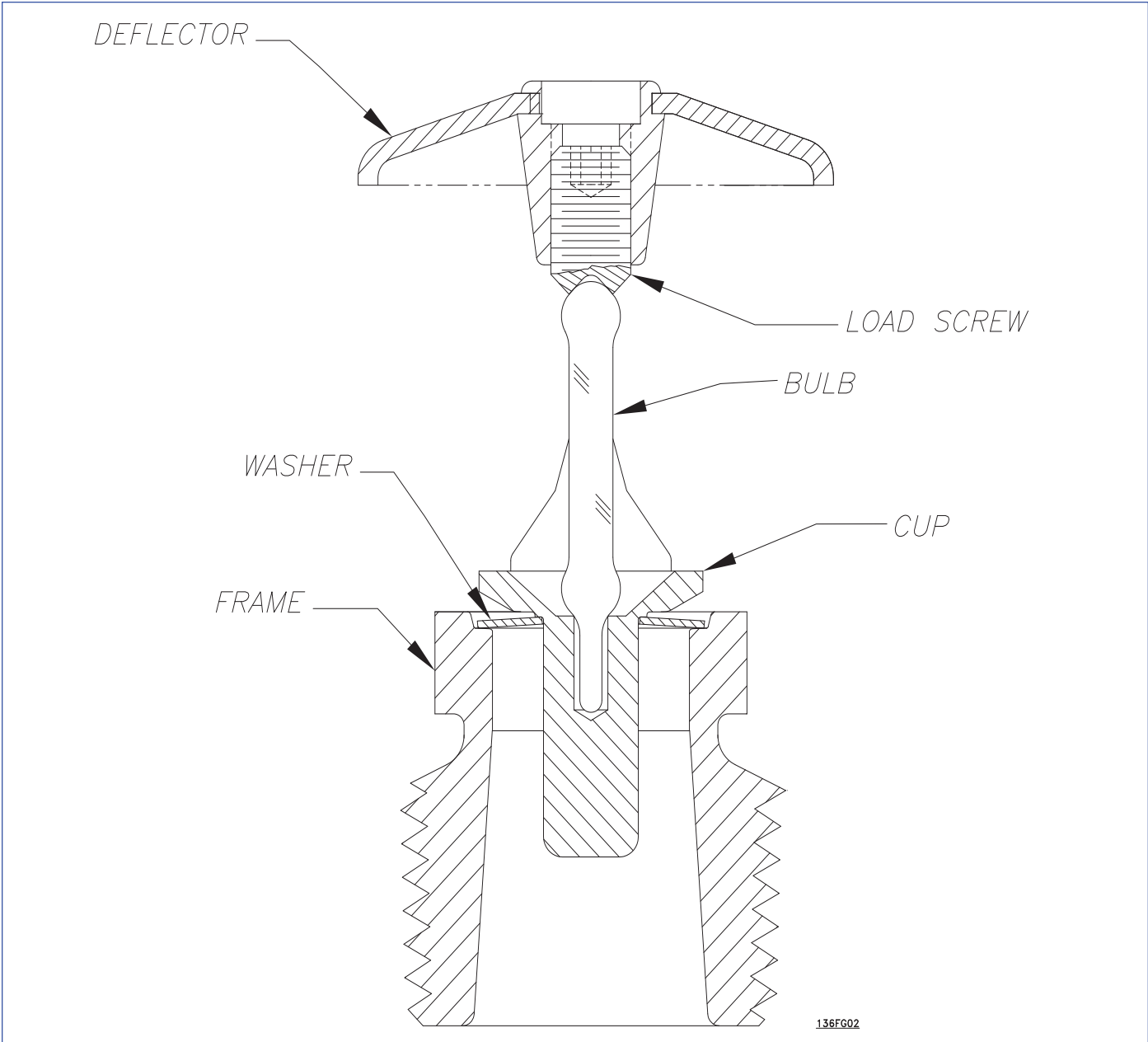
Application

Quick response sprinklers are used in fixed fire protection systems: Wet, Dry, Deluge or Preaction. Care must be exercised that the orifice size, temperature rating, deflector style and sprinkler type are in accordance with the latest published standards of the National Fire Protection Association or the approving Authority Having Jurisdiction. Quick response sprinklers are intended for installation as specified in NFPA 13, FM Global Loss Prevention Data Sheet 2-8N or other applicable standards. Quick response sprinklers and standard response sprinklers should not be intermixed.

Installation

Quick response sprinklers are intended for installation as specified in NFPA 13, FM Global Loss Prevention Data Sheet 2-8N or other applicable standards. Quick response sprinklers and standard response sprinklers should not be intermixed.

The Model F1FR LO Recessed Quick Response Sprinklers are to be installed as shown. The Model F1 or F2 Escutcheons illustrated are the only recessed escutcheons to be used with the Model F1FR LO Sprinklers. The use of any other recessed escutcheon will void all approvals and negate all warranties.



Technical data:

Models	Response	Deflector Orientation	Discharge Coefficient	Thread Size	Max. Working Pressure	Min. Working Pressure	Temperature Rating	Finish
F1FR LO	Quick Response	Upright Pendent Conventional	K 8.0	3/4" NPT (R3/4) or 3/4" BSPT	175 PSI	7 PSI	See "Temperature Ratings" Table	See "Finish Table"

Material Data:

Frame	Deflector	Load Screw	Cup	Washer	Bulb
DZR Brass QM Brass	CDA Alloy 510	CDA Alloy 210, 220, 314, 316, 360 or CDA Alloy 544	CDA Alloy 314 or CDA Alloy 353	Nickel Alloy 440 or Alloy 360 coated with PTFE Adhesive Tape	Glass

See "Installation Data" table and from page for more details

Model F1FR LO Quick Response Upright, Pendent & Conventional Sprinklers

Installation Wrench: Model D Sprinkler Wrench

Installation Data:

Sprinkler Type	K Factor		Sprinkler Height	Approval Organization	Sprinkler Identification Numbers (SIN)	
	US	Metric			SSU	SSP
Standard-Upright (SSU) and pendent (SSP) Deflectors Marked to Indicate Position						
17/32" (20mm) Large Orifice with 3/4" NPT (R3/4) Thread	8.0	115	2.3" (58mm)	1,2,3,4,5	R3622 ⁽¹⁾⁽²⁾	R3612
Conventional-Install in Upright or Pendent Position						
20mm Large Orifice with 3/4" NPT (R3/4) Thread	8.0	115	58mm	4,7	R3672	

⁽¹⁾ Polyester coated upright UL and ULC listed corrosion resistant R3622.

⁽²⁾ FM Approved for polyester coated sprinkler. R3622



Upright



Pendent



Conventional

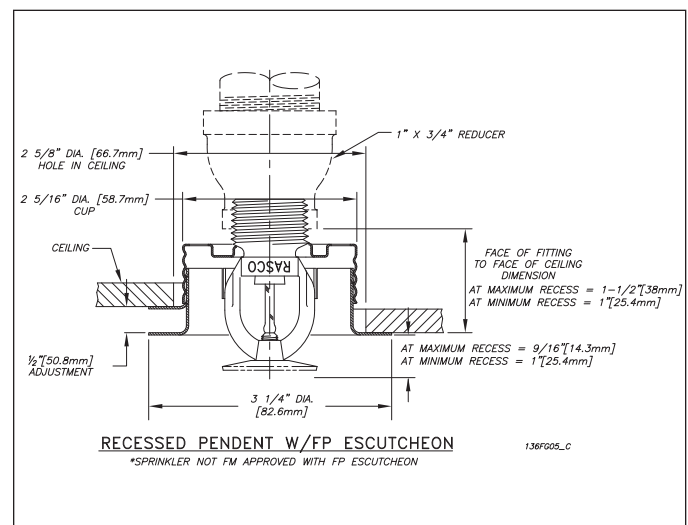
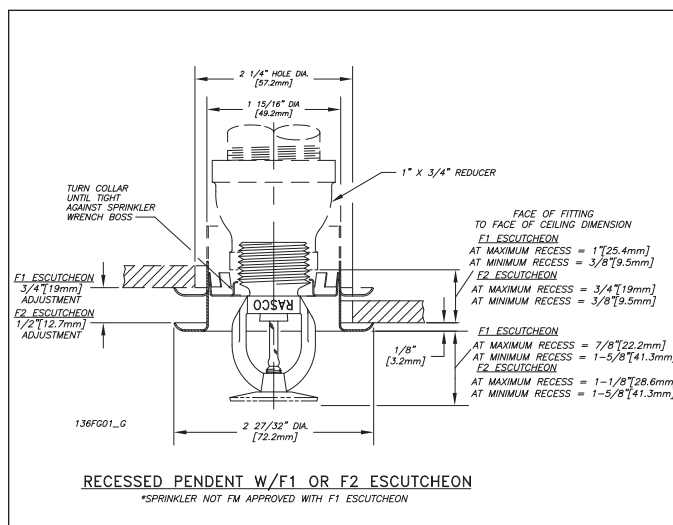
Model F1FR LO Quick Response Recessed Pendent Sprinkler⁽¹⁾

Installation Wrench: Model GFR2 Sprinkler Wrench

Installation Data:

Nominal Orifice	Thread Size "T"	Nominal K Factor		Sprinkler Height	Approval ⁽¹⁾ Organization			Sprinkler Identification Numbers (SIN)
		US	Metric		F1	F2	FP	
17/32" (20mm)	3/4" NPT (R3/4)	8.0	115	2.3" (58mm)	1,2,8	1,2,3,8	1,2	R3612

⁽¹⁾ Refer to escutcheon data table for dimensions.



When installing Model F1FR LO Sprinklers, use the Model D Sprinkler Wrench. When installing Model F1FR LO Recessed Pendent or Sidewall Sprinklers, use the Model GFR1 Sprinkler Wrench. Any other type of wrench may damage these sprinklers. **Note:** A leak tight 1/2" NPT (R1/2) sprinkler joint can be obtained with a torque of 8 - 18 ft-lbs (10.8 - 24.4 N-m). Do not tighten sprinklers over maximum recommended torque. It may cause leakage or impairment of the sprinklers.

Glass bulb sprinklers have orange bulb protectors to minimize bulb damage during shipping, handling and installation. REMOVE THIS PROTECTION AT THE TIME THE SPRINKLER SYSTEM IS PLACED IN SERVICE FOR FIRE PROTECTION. Removal of the protectors before this time may leave the bulb vulnerable to damage. RASCO wrenches are designed to install sprinklers when covers are in place. REMOVE PROTECTORS BY UNDOING THE CLASP BY HAND. DO NOT USE TOOLS TO REMOVE THE PROTECTORS.

Temperature Ratings

Classification	Sprinkler Temperature		Maximum Ambient Temperature		Bulb Color
	°F	°C	°F	°C	
Ordinary	135	57	100	38	Orange
Ordinary	155	68	100	38	Red
Intermediate	175	79	150	66	Yellow
Intermediate	200	93	150	66	Green
High ⁽¹⁾	286	141	225	107	Blue

⁽¹⁾ Not Available for recessed sprinklers.

Maintenance

The Models F1FR LO and F1FR LO Recessed Sprinklers should be inspected quarterly and the sprinkler system maintained in accordance with NFPA 25. Do not clean sprinklers with soap and water, ammonia or any other cleaning fluids. Remove dust by using a soft brush or gentle vacuuming. Remove any sprinkler which has been painted (other than factory applied) or damaged in any way. A stock of spare sprinklers should be maintained to allow quick replacement of damaged or operated sprinklers. Prior to installation, sprinklers should be maintained in the original cartons and packaging until used to minimize the potential for damage to sprinklers that would cause improper operation or non-operation.

Sprinkler Types

- Standard Upright
- Standard Pendent
- Conventional
- Recessed Pendent

Finishes⁽¹⁾⁽²⁾

Standard Finishes	
Sprinkler	Escutcheon
Bronze	Brass
Chrome Plated	Chrome Plated ⁽³⁾
White Polyester Coated ⁽⁴⁾⁽⁵⁾	White Painted ⁽³⁾
Special Application Finishes	
Sprinkler	Escutcheon
Bright Brass	Bright Brass
Black Plated	Black Plated
Black Paint	Black Paint
Off White ⁽³⁾	Off White
Satin Chrome	Satin Chrome

⁽¹⁾ Other finishes and colors are available on special order. Consult the factory for details.

⁽²⁾ FM Approvals is limited to bronze and brass, chrome or black plated finishes only.

⁽³⁾ FP Push-on/Thread-off escutcheon.

⁽⁴⁾ UL and ULC listed corrosion resistance. SIN number: R3622.

⁽⁵⁾ FM Approved for SIN No. R3622

Note: For 1/2" orifice pendent FM approved white polyester coated and UL approved white polyester corrosion resistant sprinklers refer to Bulletin 014.

Ordering Information

Specify:

1. Sprinkler Model
2. Sprinkler Type
3. Orifice Size
4. Deflector Type
5. Temperature Rating
6. Sprinkler Finish
7. Escutcheon Type
8. Escutcheon Finish (where applicable)

Note: When Model F1FR LO Recessed sprinklers are ordered, the sprinklers and escutcheons are packaged separately.

The equipment presented in this bulletin is to be installed in accordance with the latest published Standards of the National Fire Protection Association, Factory Mutual Research Corporation, or other similar organizations and also with the provisions of governmental codes or ordinances whenever applicable.

Products manufactured and distributed by Reliable have been protecting life and property for over 90 years, and are installed and serviced by the most highly qualified and reputable sprinkler contractors located throughout the United States, Canada and foreign countries.

Manufactured by



The Reliable Automatic Sprinkler Co., Inc.

(800) 431-1588 Sales Offices
 (800) 848-6051 Sales Fax
 (914) 829-2042 Corporate Offices
 www.reliablesprinkler.com Internet Address



Revision lines indicate updated or new data.