

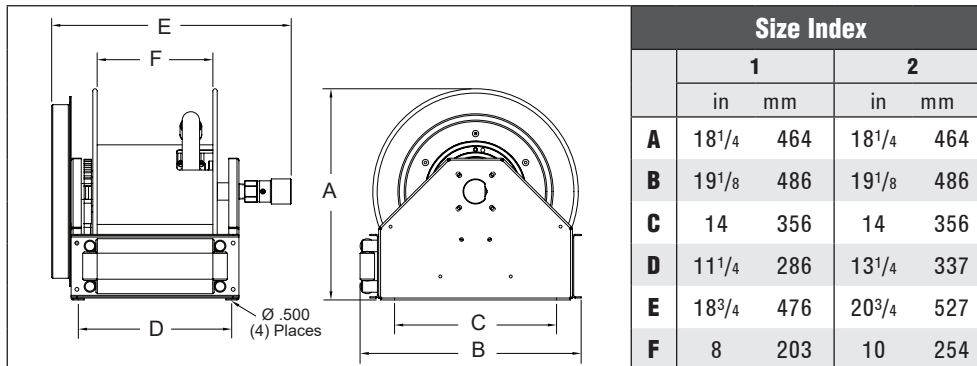
Spring Retractable Low Profile Reels

Air/Water/Oil/Vacuum Recovery - 3/4", 1" I.D.

- Designed to facilitate larger diameter 3/4 in. and 1 in. hose up to 50 ft.
- Features a high-quality external drive spring and a heavy gauge all-bolted together frame
- Stainless latch spring and widened aluminum ratchet/pawl
- Corrosion-resistant powder coat paint
- High impact HDPE guide rollers
- 1³/₈ in. solid main shaft
- Four 5/8 in. tie rods maintain reel integrity and provide added support
- Containerized external drive spring assembly offers easier handling during maintenance
- Ductile iron fluid path parts
- Torsion spring for longer service life
- Most compact reel in its class



SD13050 OLP



All models are bottom wind unless otherwise specified. Contact Reelcraft for additional bracket required for other guide arm positions.



SD13000 OLP

Additional Series SD10000 Models

Fuel Reels - Page 20

- Extreme space saving design, ideal for applications with minimal space constraints
- Built with high quality, industrial grade components for superior strength



Interactive Reel Catalog

Visit reelcraft.com/catalog for complete product specifications, parts, and accessories.



Hose Assemblies & Bumper Stops

See page 40

Model with hose & bumper	Shipping Weight		Hose I.D.		Hose O.D.		Hose Length		Max Pressure	NPT(M) Hose Outlet	NPT(F) Reel Inlet	NPT(F) Reel Outlet	Size Index #	
	lbs	kg	in	mm	in	mm	ft	m						psi
Low Pressure Air/Water Reels										Maximum Temperature 150 °F (65 °C) Max working pressure is at 70 °F (20 °C)				
SD13035 OLP	95	43	3/4	19	1.188	30	35	11	250	17	3/4	1	3/4	1
SD13050 OLP	105	48	3/4	19	1.188	30	50	15	250	17	3/4	1	3/4	1
SD14050 OLP	125	57	1	25	1.375	35	50	15	250	17	3/4	1	1	2
Medium Pressure Oil Reels										Maximum Temperature 210 °F (99 °C)				
SD13035 OMP	95	43	3/4	19	1.188	30	35	11	1250	86	3/4	1	3/4	1
Vacuum Recovery Reels										Maximum Temperature 210 °F (99 °C)				
SD13035 OVP	95	43	3/4	19	1.260	32	35	11	28 Hg~300 psi	3/4	1	3/4	1	
SD13050 OVP	105	48	3/4	19	1.260	32	50	15	28 Hg~300 psi	3/4	1	3/4	1	
SD14035 OVP	102	46	1	25	1.496	38	35	11	28 Hg~300 psi	1	1	1	1	
SD14050 OVP	125	57	1	25	1.496	38	50	15	28 Hg~300 psi	1	1	1	2	

Low pressure reels furnished standard with PVC hose. Medium pressure reels furnished standard with S.A.E. 100R1 one wire braid hose. Vacuum recovery reel capacities based on using SAE 100 R4 hose or equivalent.

Model without hose & bumper	Shipping Weight		Hose Capacity			Max Pressure	NPT(F) Reel Inlet	NPT(F) Reel Outlet	Size Index #				
	lbs	kg	I.D.	O.D.	Length								
		in	mm	in	mm	ft	m	psi	bar	in	in	in	
Low Pressure Air/Water Reels										Maximum Temperature 210 °F (99 °C)			
SD13000 OLP	85	39	3/4	19	1.188	30	50	15	500	35	1	3/4	1
SD14000 OLP	85	39	1	25	1.375	35	35	11	500	35	1	1	1