

# New Product Announcement

## Spring Retractable Fuel Reels

**Air/Water/Fuel/Oil/Vacuum Recovery** - 3/4", 1" I.D.

Series SD10000 hose reels are designed to facilitate larger diameter 3/4" and 1" hose up to 50 ft. They feature a high quality external drive spring and a heavy gauge all-bolted frame. This is the most compact reel in its class, making it ideal for mounting in truck cabinets or other areas where space is limited.



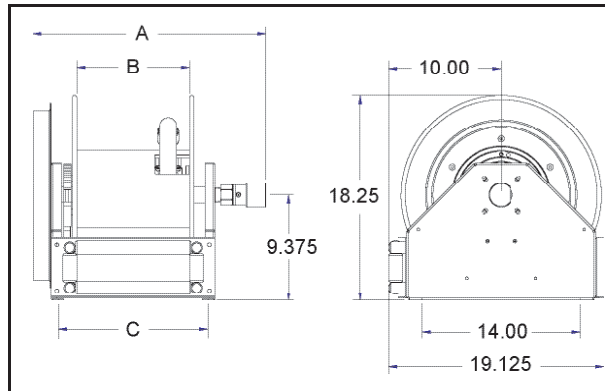
SD14035 OVP

### Benefits

- **Compact** reel features extreme space saving design, ideal for applications with minimal space constraints.
- **Strength** reel is built with high quality industrial grade components for superior strength and design.

### SPECIFICATIONS

- High impact UHMW guide rollers
- Corrosion resistant powder coat paint
- 1 3/8" solid main shaft
- 4 - 5/8" tie rods maintain spool integrity
- Containerized external drive spring assembly is easily and safely serviced
- Ultra low profile design for cabinet mount
- Ductile iron fluid path parts
- Stainless latch spring and widened aluminum ratchet/pawl



### Size Index

No.	1		2	
	in / mm		in / mm	
<b>A</b>	18 3/4	476	20 3/4	527
<b>B</b>	8	203	10	254
<b>C</b>	11 1/4	286	13 1/4	337

Four 1/2" (12.7 mm) dia. mounting holes. All models are bottom wind unless otherwise specified. Additional bracket required for other guide arm positions.

Model with Hose	Shipping Weight		Pressure	Hose I.D.	Hose O.D.	(M)NPTF Outlet	(F)NPTF Inlet	Hose Length	Model without hose	Shipping Weight		Pressure	Size Index					
	lbs / kg	psi / bar								lbs / kg	psi / bar							
<b>Low Pressure Air/Water Reels</b> Maximum Temperature 150° F (65° C) / 210° F (99° C) w/out hose																		
SD13035 OLP	95	43	250	17	3/4	19	1.075	30	3/4	1	35	11	SD13000 OLP	85	39	500	35	1
SD13050 OLP	105	48	250	17	3/4	19	1.075	30	3/4	1	50	15	SD13000 OLP	85	39	500	35	1
SD14035 OLP	102	46	250	17	1	25	1.375	38	1	1	35	11	SD14000 OLP	85	39	500	35	1
SD14050 OLP	125	57	250	17	1	25	1.375	38	1	1	50	15	SD14005 OLP	92	42	500	35	2
<b>Low Pressure Fuel Reels</b> Maximum Temperature w/ hose 150° F (65° C) / 210° F (99° C) w/out hose																		
FSD13035 OLP	102	46	*50	3	3/4	19	1.188	30	3/4	1	35	11	FSD13000 OLP	85	39	500	35	1
FSD13050 OLP	110	50	*50	3	3/4	19	1.188	30	3/4	1	50	15	FSD13000 OLP	85	39	500	35	1
FSD14035 OLP	105	48	*50	3	1	25	1.500	38	1	1	35	11	FSD14000 OLP	85	39	500	35	1
FSD14050 OLP	127	58	*50	3	1	25	1.500	38	1	1	50	15	FSD14005 OLP	92	42	500	35	2
<b>Medium Pressure Oil Reels</b> Maximum Temperature 210° F (99° C)																		
SD13035 OMP	100	45	1250	86	3/4	19	1.188	30	3/4	1	35	11	SD13000 OMP	85	39	3000	207	1
SD13050 OMP	105	48	1250	86	3/4	19	1.188	30	3/4	1	50	15	SD13000 OMP	85	39	3000	207	1
<b>Vacuum Recovery Reels</b> Temperature Range -40° F (-40° C) to 210° F (99° C)																		
SD13035 OVP	102	46	28 Hg		3/4	19	1.260	30	3/4	1	35	11	SD13000 OVP	85	39	28 Hg		1
SD13050 OVP	112	51	28 Hg		3/4	19	1.260	30	3/4	1	50	15	SD13000 OVP	85	39	28 Hg		1
SD14035 OVP	110	50	28 Hg		1	25	1.496	37	1	1	35	11	SD14000 OVP	85	39	28 Hg		1
SD14050 OVP	132	60	28 Hg		1	25	1.496	37	1	1	50	15	SD14005 OVP	92	42	28 Hg		2

NOTE: Vacuum Recovery Reel capacities based on using SAE 100 R4 hose or equivalent. Minimum bend radius is 8", max O.D. 1.500". \*Models equipped with fuel grade hose, UL330 ULP approved 250 PSI minimum burst.

**Reelcraft Industries, Inc.**  
2842 E. Business Hwy. 30  
Columbia City, IN 46725  
Fax: 260-248-2605

Toll Free Ph: 800-444-3134  
Ph: 260-248-8188  
www.reelcraft.com  
reelcraft@reelcraft.com

