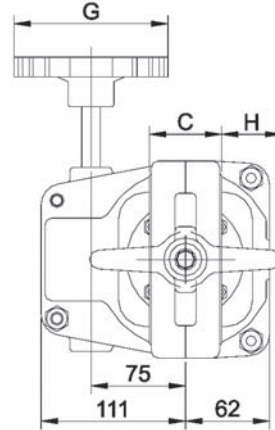
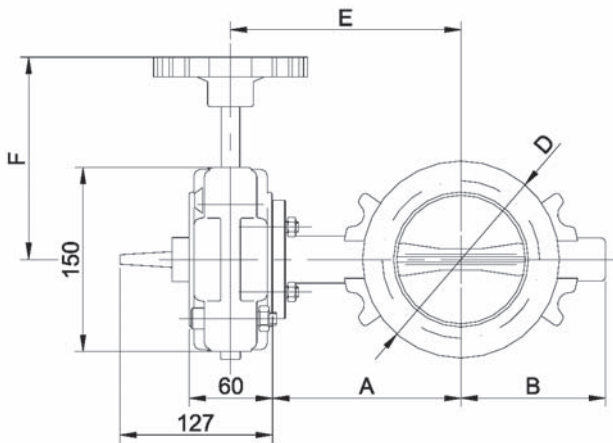


HRW300 Wafer Butterfly Valve

August 2009

FM Approved / UL Listed



Description

Universal wafer type Butterfly Valve suitable for connecting to ANSI B 16 Class 125, ISO 2084 / Din 2501 PN16 & BSEN 1092 PN 16 Flanges.

Factory installed Double Tamper Switch for indoor and outdoor use.

Pressure & Temperature

Max Working Pressure: 20.7 Bar
 Max Test Pressure: 41.4 Bar
 Max Working Temperature: 120°C

Dimensions

Size	A mm	B mm	C mm	D mm	E mm	F mm	G mm	H mm	Weight Kg
65 mm	136	87	46	105	166	135	128	8.2	9.8
80 mm	143	93	46	125	173	135	128	14.5	10.8
100 mm	156	109	52	150	186	135	128	22.7	12.4
150 mm	188	144	56	205	218	193	220	45.4	17.6
200 mm	222	166	58	265	252	193	220	69.1	22.6

Material Specification

Item	Material
Body	ASTM A-536 EPDM Encapsulated
Disc	ASTM A-536 Nylon Coated
Upper & Lower Stems	AISI 420-SS
Worm Gear Shaft	AISI 410-SS
Housing	ASTM A-536
Hand Wheel	ASTM A-536
Flag Indicator	ASTM A-536
Shear Pin	ASTM A-510
Segment Gear	ASTM B-148
Housing Gasket	EPDM Grade "E"
O-Rings (All)	EPDM Grade "E"

Rapidrop Global

Rutland Business Park, Newark Road, Peterborough, PE1 5WA, United Kingdom

Tel: +44 (0) 1733 847 510 Fax: +44 (0) 1733 553 958

e-mail: rapidrop@rapidrop.com web: www.rapidrop.com