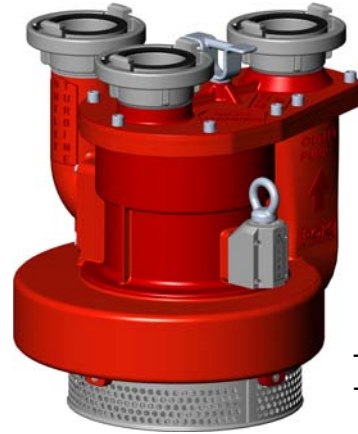




HYDRO-EJECTORS, TURBO-PUMPS and SEWER NOZZLES

The hydro-ejectors & turbo-pump are designed to evacuate or supply water via the venturi effect. Made primarily of aluminum alloy that undergoes a thermic treatment and a hardcoat-anodized finish. GPM based on a 10 foot vertical vacuum @ 100 PSI. Available in 1.5" and 2.5" ball bearing female swivel inlet.



TURBO MAX
Turbo Pump

Description	Code	GPM
Hydro-ejector without non return valve 1.5" inlet 2.5"outlet	3032	135
Hydro-ejector with non return valve 1.5" inlet 2.5"outlet	3086	135
Hydro-ejector with non return valve 2.5" inlet 4.0"outlet	16043	400
Turbo-Max with 2.5"	22223	150 m3/h
Turbo-Max with 2.5" Storz	21542	150 m3/h
Hydro-ejector with 2.5" coupling	7855	15 tons/hour



Hydro Ejector
3032



Hydro Ejector
3286



Hydro Ejector
16043

Nozzle for unblocking sewer pipes in those hard to get places. A revolving action is produced from several discharge orifices on the side and an straight stream from the tip. A solid tip is also supplied on the aluminum model. Made primarily of aluminum or brass and available with a 1.0", 1.5" and 2.5" full time female swivel. The aluminum model comes complete with 2 tips and tools for maintenance and adjustment.

Sewer Nozzles

Description	Aluminum Code	Bronze Code
DN 20 with shank of 25		3672
DN 40 with shank of 35		9366
Female 1.5"		9367
Female 1.5"	2278	
Male 2.0"	9101	
Female 2.5"	2273	

