



Hidden power!

The **special MS-300 siren system** is based on the latest digital switchgear technology. This makes it possible to achieve maximum sound pressure at a **minimum level of power consumption**.

The flexible horn of the **K-SR 300** loudspeaker allows the siren to be installed under the vehicle bonnet.

The **MS-300** control unit can also be integrated in the industry-proven TOPas lightbars as well as connected either via a **data bus** or using **parallel wiring**.

Order numbers

MS-300 packages

5010 8401 117
with 1 x K-SR 300

5010 8401 103
with 2 x K-SR 300

Individual components

Control devices MS-300 12V

- **5010 8401 052**
- Version for rescue/fire brigade

- **5010 8401 046**
- Version for police

- **5010 8401 066**
- Version for export

- **5010 8401 035**
- Version with compressor signal

MS-300 control unit 24V

- **5010 8410 005**

5030 8450 001
K-SR 300 loudspeaker

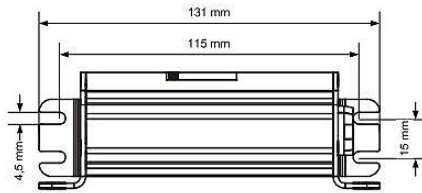
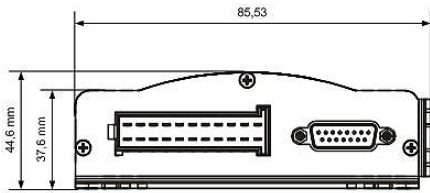
5010 8400 012
Vehicle cable tree ZKA-300

Also available with a digital
compressor signal!

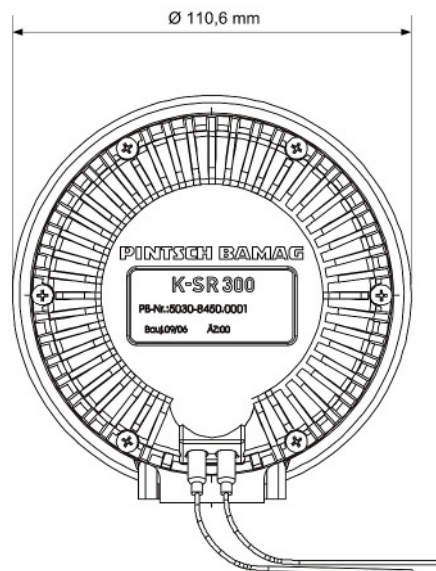
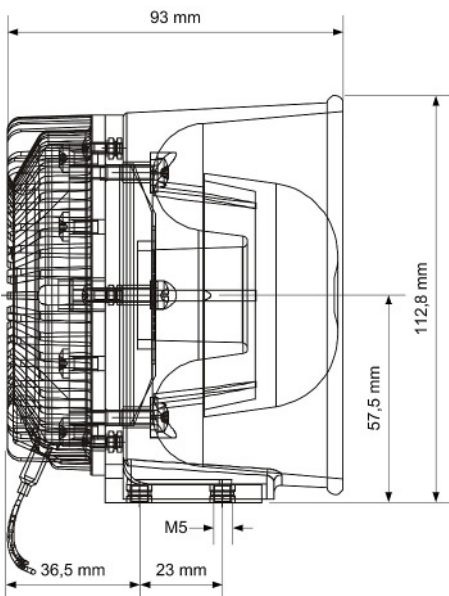
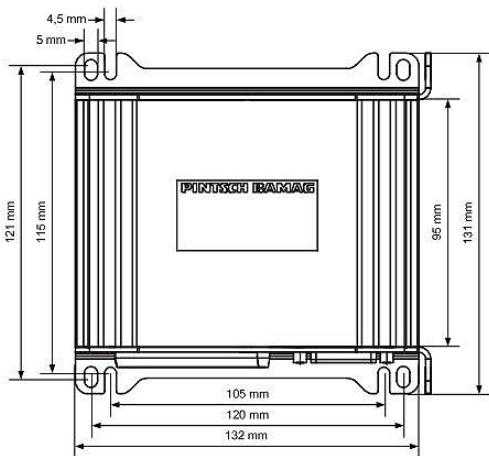


088 027 972-000 (07/11 EN)

Mobile Siren for undercover installation MS-300



Dimensions and assembly dimensions
MS-300 control device



Dimensions and assembly dimensions
K-SR 300 loudspeaker

General Technical Data	for 12 V Version	for 24 V Version
Voltage Supply		
➤ Operating Voltage :	12 V _{DC}	24 V _{DC}
➤ Voltage Range :	10.8 ... 14.4 V _{DC}	21.6 ... 28.8 V _{DC}
➤ Limiting Range :	-32 ... +32 V _{DC}	-32 ... +32 V _{DC}
Power Consumption		
➤ In Standby Mode :	< 1 mA	< 1 mA
➤ Max. :	5 A (without Beacons)	3 A (without Beacons)
Ambient Temperature		
➤ Operating Range :	-25 ... +70 °C	
➤ Storage / Transport :	-40 ... +85 °C	

Sound pressure at a distance of 3.5m

with 2 x K-SR 300 : 120dB (A)

with 1 x K-SR 300 : 114dB (A)

TOPas with 1 loudspeaker : 115dB (A)

TOPas with 2 loudspeakers : 121dB (A)

Technical Data	Control Unit MS-300	Loudspeaker K-SR 300
Output Power :	2 x 50 W (2 x 100 W Peak)	60 W (300 W Peak)
Dimensions (H x W x D) :	44.6 x 136.6 x 131	112.8 x 110.6 x 93
Weight :	approx. 400 g	approx. 900 g
Protection Class :	IP 54	
Inputs :	6 x < 20 mA, freely programmable 2 x < 20 mA, reserved for keying	
Outputs :	2 x < 6 A, reserved for Beacon 4 x < 2 A, freely programmable	
Approvals		
➤ Acoustic :	W25042	
➤ EMC :	e1 - 034705	

Special signals

- all common signals for D, A, CH, F, I, NL, N, S as well as US signalling
- Digital compressor signal
- Additional signals can be programmed if required

Pintsch Bamag reserves the right to make technical changes.