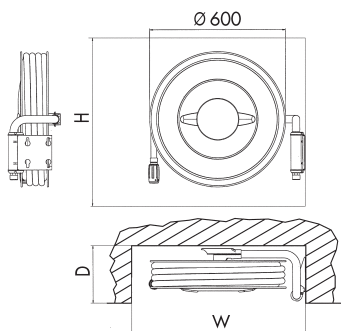


• NOHA MODEL 2SW



NOHA SWINGING FIRE HOSE REEL FOR RECESS-MOUNTING

Hose reel mounted on a swinging arm with internal waterways which swings 180°.

For use in factories, warehouses and showrooms.

NOHA MODEL 2SW IS CE-MARKED ACCORDING TO EN671-1 AND SUPPLIED WITH:

- Hose reel with side discs powder coated RAL 3001 red gloss 15
- 1" manual stop valve
- NOHA quick-change coupling system on reel outlet
- NOHA jet/spray/shut-off nozzle
- NOHA special black hose, designed to standard EN694 for fire hose reels
- Mounting template
- NOHA swinging arm with internal waterways, hinged on right hand side
- Centre parts made of brass
- Adjustable brake
- NOHA installation instructions

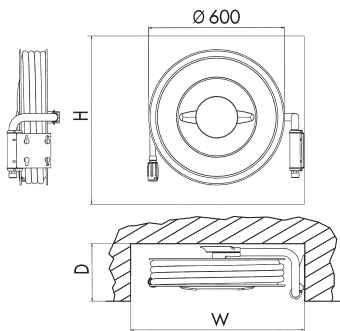
Model	Hose length in metres		Dimensions in mm W x H x D	Order number
	19 mm	25 mm		
2SW	20		750 x 750 x 235	555025
2SW	25		750 x 750 x 235	555026
2SW	30		750 x 750 x 235	555027
2SW		20	750 x 750 x 290	555028
2SW		25	750 x 750 x 290	555029
2SW		30	750 x 750 x 290	555030

OPTIONS

- Red hose
- Light hose
- Hinged on left hand side



• NOHA MODEL 2SWA



NOHA SWINGING FIRE HOSE REEL WITH AUTOMATIC STOP VALVE FOR RECESS-MOUNTING

Hose reel mounted on a swinging arm with internal waterways which swings 180°. The automatic stop valve opens to provide full capacity within just two revolutions of the reel.

For use in factories, warehouses and showrooms.

NOHA MODEL 2SWA IS CE-MARKED ACCORDING TO EN671-1 AND SUPPLIED WITH:

- Hose reel with side discs powder coated RAL 3001 red gloss 15
- Integrated NOHA automatic stop valve
- NOHA quick-change coupling system on reel outlet
- NOHA jet/spray/shut-off nozzle
- NOHA special black hose, designed to standard EN694 for fire hose reels
- Mounting template
- NOHA swinging arm with internal waterways, hinged on right hand side
- Centre parts made of brass
- Adjustable brake
- NOHA installation instructions

Model	Hose length in metres		Dimensions in mm W x H x D	Order number
	19 mm	25 mm		
2SWA	20		750 x 750 x 235	555031
2SWA	25		750 x 750 x 235	555032
2SWA	30		750 x 750 x 235	555033
2SWA		20	750 x 750 x 290	555034
2SWA		25	750 x 750 x 290	555035
2SWA		30	750 x 750 x 290	555036

OPTIONS

- Red hose
- Light hose
- Hinged on left hand side

