

# ALUKIT DESCRIPTION

## FORD Transit

### A POLYESTER FRAME + AN ALUMINIUM ROLL-UP DOOR = ALUKIT

ALUKIT is an ideal solution for every body who wishes to replace the original rear doors of the vehicle with a roll-up door without modifying the body.

It's composed of a polyester frame adapted to the shape of the vehicle and a roll-up door.

To install an ALUKIT, you just need to remove the original rear door and place the polyester frame on the vehicle, then install the shutter.

The final fixing is done with integrated screws in the polyester frame, which have to be placed in the hinges of the original doors.



#### Advantages :

- Vehicle's appearance preserved
- No change on the vehicle body (No piercing, cutting, soldering or painting)
- The original doors can be restored
- Easy installation
- Short installation time (4 to 5 hours)

The polyester frame is delivered in RAL 9010, orange RAL 2000 or other color RAL on request.

The roll-up door standard finish is in RAL 7035 satin finish powder coated grey, but can also be delivered in RAL 9010, orange RAL 2000, anodized or other RAL on request.

 **WARNING !** Check your exact vehicle model !

Our ALUKIT for FORD Transit is available for the **high** version.

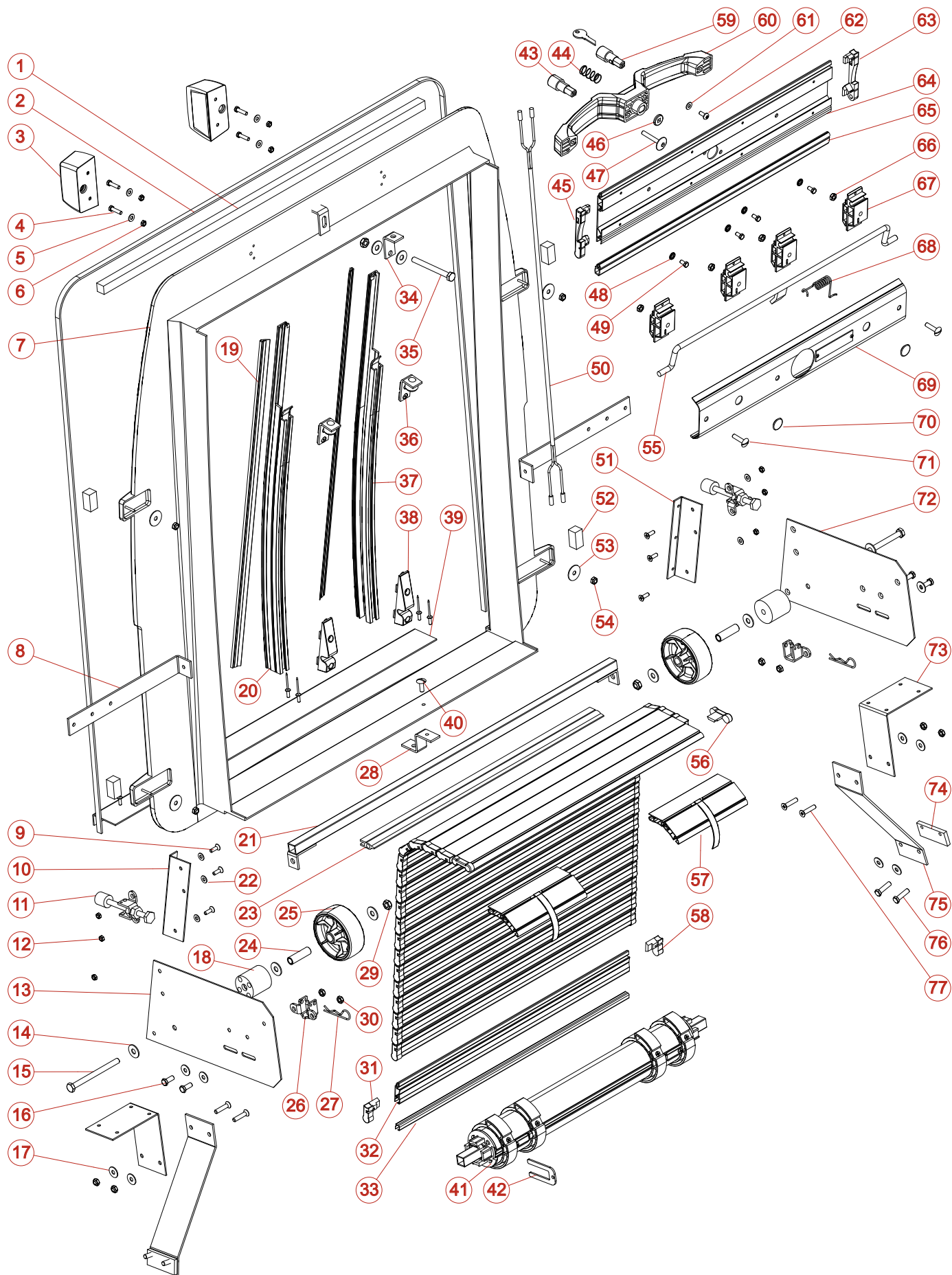


### FORD TRANSIT SURELEVE

Largeur de passage: 1198 mm

Hauteur de passage: 1710 mm

# EXPLODED VIEW ALUKIT TRANSIT HAUT



# ELEMENT LIST ALUKIT TRANSIT HAUT

REP	CODE	DESCRIPTION
1	6100	ALUKIT STICKER SEAL (M)
2	2045	ALUKIT STICKER SEAL 9 X 3 MM (M)
3	6019	REAR-REGISTRATION-PLATE ILLUMINATION DEVICE
4	3346	STAINLESS SCREW TH 5 X 20
5	3319	STAINLESS RING M 5
6	3348	STAINLESS NUT HU M 5
7	6400	TRANSIT POLYESTER FRAME
8	6503	LATERAL REINFORCEMENT FOR TRANSIT
9	3330	STAINLESS SCREW TF POZIDRIV 5 X 16
10	6405	ANGLE BRACKET FOR LEFT SIDE PANEL TRANSIT
11	6109	POLYESTER TRUSS ROD
12	3320	STAINLESS LOCK NUT M 5
13	6403	TRANSIT LEFT SIDE PANEL
14	3301	STAINLESS RING L 8
15	3300	STAINLESS SCREW TH 8 X 100
16	3303	STAINLESS SCREW TH 6 X 16
17	3304	STAINLESS RING L 6
18	4107	PLASTIC SPACER
19	2023	TRACK SEAL (M)
20	6411	TRANSIT LEFT TRACK
21	6418	SUPPORT ANGLE BRACKET SIDE PANEL TUBE
22	3319	STAINLESS RING M 5
23	2042	ALUKIT WATERPROOF TOP SEAL
24	3109	STEEL SPACER
25	4110	WHEEL 80 DIA
26	3139	ROLLER SUPPORT
27	3371	STAINLESS BETA PIN 2.5
28	6401	POLYESTER FRAME LOW FIXING
29	3302	STAINLESS LOCK NUT M 8
30	3305	STAINLESS LOCK NUT M 6
31	4002	LEFT SLAT CAP
32	1001	ABE SLAT 30 (M)
33	2004	INNER SLAT SEAL (M)
34	6402	POLYESTER FRAME HIGH FIXING
35	3333	STAINLESS SCREW TH 8 X 80
36	8117	COMPLETE UPPER STOP
37	6412	TRANSIT RIGHT TRACK
38	8115	COMPLETE ROD LOCK SYSTEM
39	6410	TRANSIT DOORSTEP
40	3325	STAINLESS SCREW TRL POELIER 6 X 16
41	8001	ROLLER 62
42	3108	BLOCKING FORK
43	4202	PUSH BUTTON
44	3226	COMPRESSION SPRING FOR PUSH BUTTON
45	4017	LEFT TERMINAL SLAT CAP
46	4201	DOUBLE HANDLE PLASTIC RING
47	3345	SCREW POELIER TORQUE 6 X 30

REP	CODE	DESCRIPTION
48	3307	STAINLESS RING AZ 5
49	3306	STAINLESS SCREW TH 5 X 10
50	6420	ELECTRICAL CLUSTER
51	6406	ANGLE BRACKET FOR RIGHT SIDE PANEL TRANSIT
52	6100	ALUKIT STICKER SEAL (M)
53	3332	STAINLESS RING LL 6
54	3305	STAINLESS LOCK NUT M 6
55	3213	1 TO 1.5 M ROD
56	4004	SLAT SPECIAL CAP
57	8114	LOOPS GUIDE
58	4003	RIGHT SLAT CAP
59	3901 à 3920	CYLINDER FOR LOCK N° 1001 TO N° 1020
60	4200	MCD DOUBLE HANDLE
61	3319	STAINLESS RING M 5
62	3324	STEEL STAINLESS TC 5 X 12 POZIDRIV
63	4017	RIGHT TERMINAL SLAT CAP
64	1101	TERMINAL SLAT (M)
65	2010	BOTTOM SEAL (M)
66	3503	ZINC-COATED LOCK NUT M 6
67	4251	FIXATION ROD BEARING
68	3207	TORSION SPRING FOR ROD
69	1200	COVER (M)
70	4208	CAP COVER
71	3335	STAINLESS SCREW TRL POELIER 6 X 25
72	6404	TRANSIT RIGHT SIDE PANEL
73	6415	ANGLE BRACKET SIDE PANEL SUPPORT
74	6408	PANE FOR SIDE PANEL SUPPORT
75	6407	SIDE PANEL REINFORCEMENT
76	3322	STAINLESS SCREW TH 6 X 25
77	3351	STAINLESS SCREW TF POZIDRIV 6 X 25