

ALUKIT DESCRIPTION

RENAULT Master 2010 - OPEL Movano 2010 - NISSAN Interstar

A POLYESTER FRAME + AN ALUMINIUM ROLL-UP DOOR = ALUKIT

ALUKIT is an ideal solution for every body who wishes to replace the original rear doors of the vehicle with a roll-up door without modifying the body.

It's composed of a polyester frame adapted to the shape of the vehicle and a roll-up door.

To install an ALUKIT, you just need to remove the original rear door and place the polyester frame on the vehicle, then install the shutter.

The final fixing is done with integrated screws in the polyester frame, which have to be placed in the hinges of the original doors.



Advantages :

- Vehicle's appearance preserved
- No change on the vehicle body (No piercing, cutting, soldering or painting)
- The original doors can be restored
- Easy installation
- Short installation time (4 to 5 hours)

The polyester frame is delivered in RAL 9010, orange RAL 2000 or other color RAL on request.

The roll-up door standard finish is in RAL 7035 satin finish powder coated grey, but can also be delivered in RAL 9010, orange RAL 2000, anodized or other RAL on request.

! WARNING ! Check your exact vehicle model !

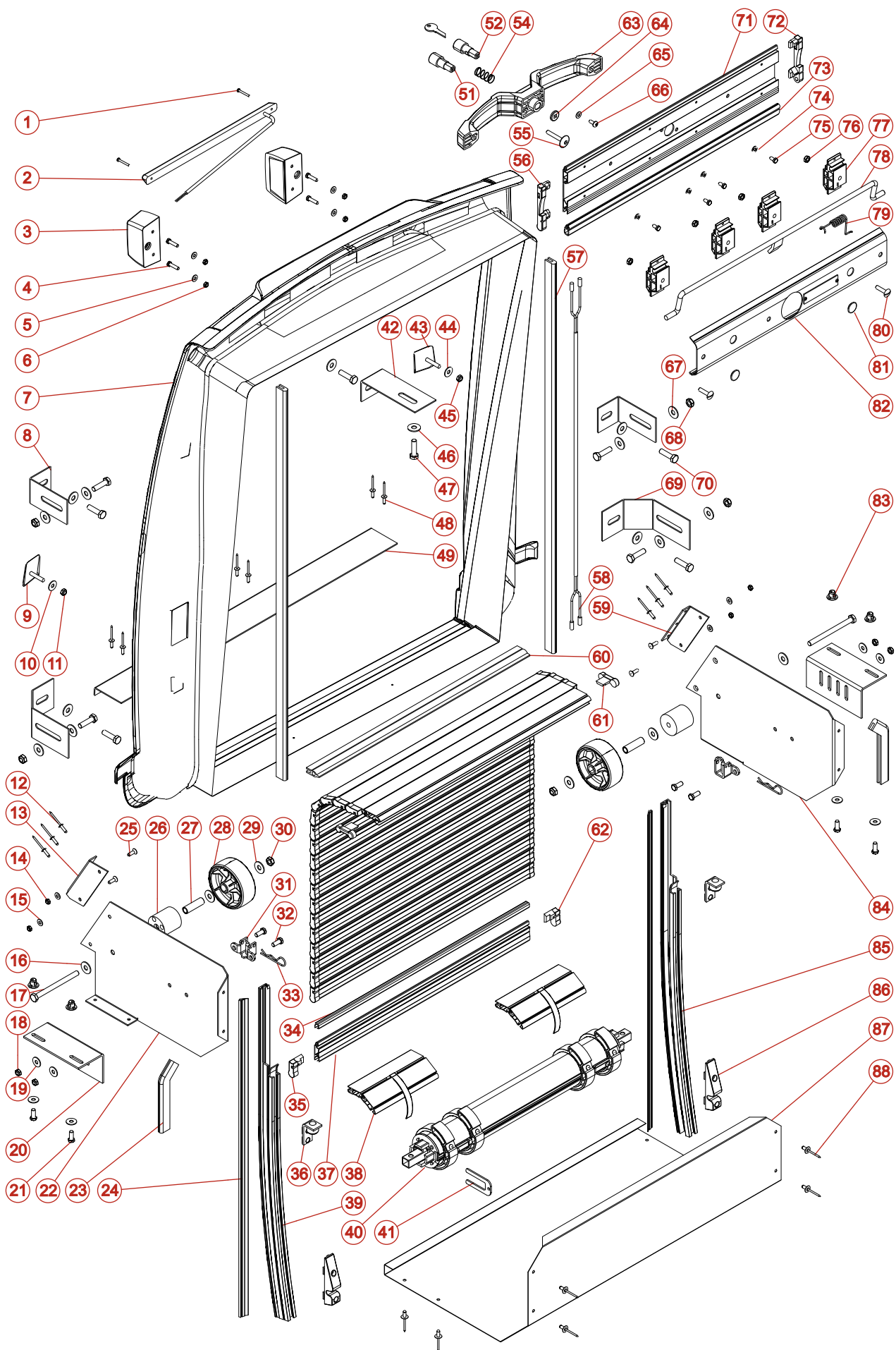
Our ALUKIT for Renault Master 2010, OPEL Movano 2010 and NISSAN Interstar 2010 is available for H2 and H3 version.



RENAULT MASTER 2010 H2 et H3
OPEL MOVANO 2010 H2 et H3
NISSAN INTERSTAR 2010 H2 et H3

Passing width: 1282 mm
Passing height : 1650 mm

EXPLODED VIEW ALUKIT MASTER - MOVANO - INTERSTAR



ELEMENT LIST FOR ALUKIT MASTER - MOVANO - INTERSTAR 2010

REP	CODE	DESCRIPTION
1	3373	STAINLESS SCREW TCL POZIDRIV 3 X 25
2	7036	ADDITIONAL STOPLIGHT
3	6019	REAR-REGISTRATION-PLATE ILLUMINATION DEVICE
4	3346	STAINLESS SCREW TH 5 X 20
5	3319	STAINLESS RING M 5
6	3348	STAINLESS NUT HU M 5
7	6050	2010 MASTER POLYESTER FRAME
8	6051	2010 MASTER LEFT FASTENING BRACKET
9	6901	LEFT HIDE HINGE FOR 2010 MASTER
10	3304	STAINLESS RING L 6
11	3305	STAINLESS LOCK NUT M 6
12	3247	RIVET 4 X 13
13	6056	ANGLE BRACKET FOR 2010 MASTER LEFT SIDE PANEL
14	3510	ZINC-COATED LOCK NUT M 5
15	3319	STAINLESS RING M 5
16	3301	STAINLESS RING L 8
17	3300	STAINLESS SCREW TH 8 X 100
18	3305	STAINLESS LOCK NUT M 6
19	3304	STAINLESS RING L 6
20	6058	SIDE PANEL SUPPORT FOR 2010 MASTER
21	3303	STAINLESS SCREW TH 6 X 16
22	6054	LEFT SIDE PANEL FOR 2010 MASTER
23	6613	BLACK PVC SEAL (M)
24	2023	TRACK SEAL (M)
25	3330	STAINLESS SCREW TF POZIDRIV 5 X 16
26	4107	PLASTIC SPACER
27	3109	STEEL SPACER
28	4110	WHEEL 80 DIA
29	3301	STAINLESS RING L 8
30	3302	STAINLESS LOCK NUT M 8
31	3139	ROLLER SUPPORT
32	3303	STAINLESS SCREW TH 6 X 16
33	3371	STAINLESS BETA PIN 2.5
34	2004	INNER SLAT SEAL (M)
35	4002	LEFT SLAT CAP
36	8117	COMPLETE UPPER STOP
37	1001	ABE SLAT 30 (M)
38	8114	LOOPS GUIDE
39	6061	LEFT TRACK FOR 2010 MASTER
40	8001	ROLLER 62
41	3108	BLOCKING FORK
42	6052	POLYESTER FRAME HIGH FIXING
43	6900	RIGHT HIDE HINGE FOR 2010 MASTER
44	3304	STAINLESS RING L 6
45	3305	STAINLESS LOCK NUT M 6
46	3301	STAINLESS RING L 8
47	3334	STAINLESS SCREW TH 8 X 30

REP	CODE	DESCRIPTION
48	3247	RIVET 4 X 13
49	6059	MASTER 2010 DOORSTEP
51	4202	PUSH BUTTON
52	3901 à 3920	CYLINDER FOR LOCK N° 1001 TO N° 1020
54	3226	COMPRESSION SPRING FOR PUSH BUTTON
55	3345	SCREW POELIER TORSQUE 6 X 30
56	4017	TERMINAL SLAT LEFT CAP
57	6613	BLACK PVC SEAL (M)
58	7014	ELECTRICAL CLUSTER
59	6057	ANGLE BRACKET FOR 2010 MASTER RIGHT SIDE PANEL
60	2042	ALUKIT WATERPROOF TOP SEAL (M)
61	4004	SLAT SPECIALCAP
62	4003	RIGHT SLAT CAP
63	4200	MCD DOUBLE HANDLE
64	4201	DOUBLE HANDLE PLASTIC RING
65	3319	STAINLESS RING M 5
66	3324	METAL STAINLESS SCREW TC 5 X 12 POZIDRIV
67	3334	STAINLESS SCREW TH 8 X 30
68	3302	STAINLESS LOCK NUT M 8
69	6053	DOWN FASTENING BRACKET 2010 MASTER
70	3334	STAINLESS SCREW TH 8 X 30
71	1101	TERMINAL SLAT (M)
72	4018	RIGHT TERMINAL SLAT CAP
73	2010	BOTTOM SEAL (M)
74	3307	STAINLESS RING AZ 5
75	3306	STAINLESS SCREW TH 5 X 10
76	3503	ZINC-COATED LOCK NUT M 6
77	4251	FIXATION ROD BEARING
78	3213	1 A 1.5 M ROD
79	3207	TORSION SPRING FOR ROD
80	3335	STAINLESS SCREW TRL POELIER 6 X 25
81	4208	CAP COVER
82	1200	COVER (M)
83	6009	SPECIAL NUT M 6
84	6055	2010 MASTER RIGHT PANEL
85	6062	RIGHT TRACK FOR 2010 MASTER
86	8115	COMPLETE LOCK ROD SYSTEM
87	6060	PROTECTION COVER FOR 2010 MASTER
88	3378	RIVET 4.8 X 10