

# ALUKIT DESCRIPTION

## IVECO Daily H2

### A POLYESTER FRAME + AN ALUMINIUM ROLL-UP DOOR = ALUKIT

ALUKIT is an ideal solution for every body who wishes to replace the original rear doors of the vehicle with a roll-up door without modifying the body.

It's composed of a polyester frame adapted to the shape of the vehicle and a roll-up door.

To install an ALUKIT, you just need to remove the original rear door and place the polyester frame on the vehicle, then install the shutter.

The final fixing is done with integrated screws in the polyester frame, which have to be placed in the hinges of the original doors.



#### Advantages :

- Vehicle's appearance preserved
- No change on the vehicle body (No piercing, cutting, soldering or painting)
- The original doors can be restored
- Easy installation
- Short installation time (4 to 5 hours)

The polyester frame is delivered in RAL 9010, orange RAL 2000 or other color RAL on request.

The roll-up door standard finish is in RAL 7035 satin finish powder coated grey, but can also be delivered in RAL 9010, orange RAL 2000, anodized or other RAL on request.

 **WARNING !** Check your exact vehicle model !

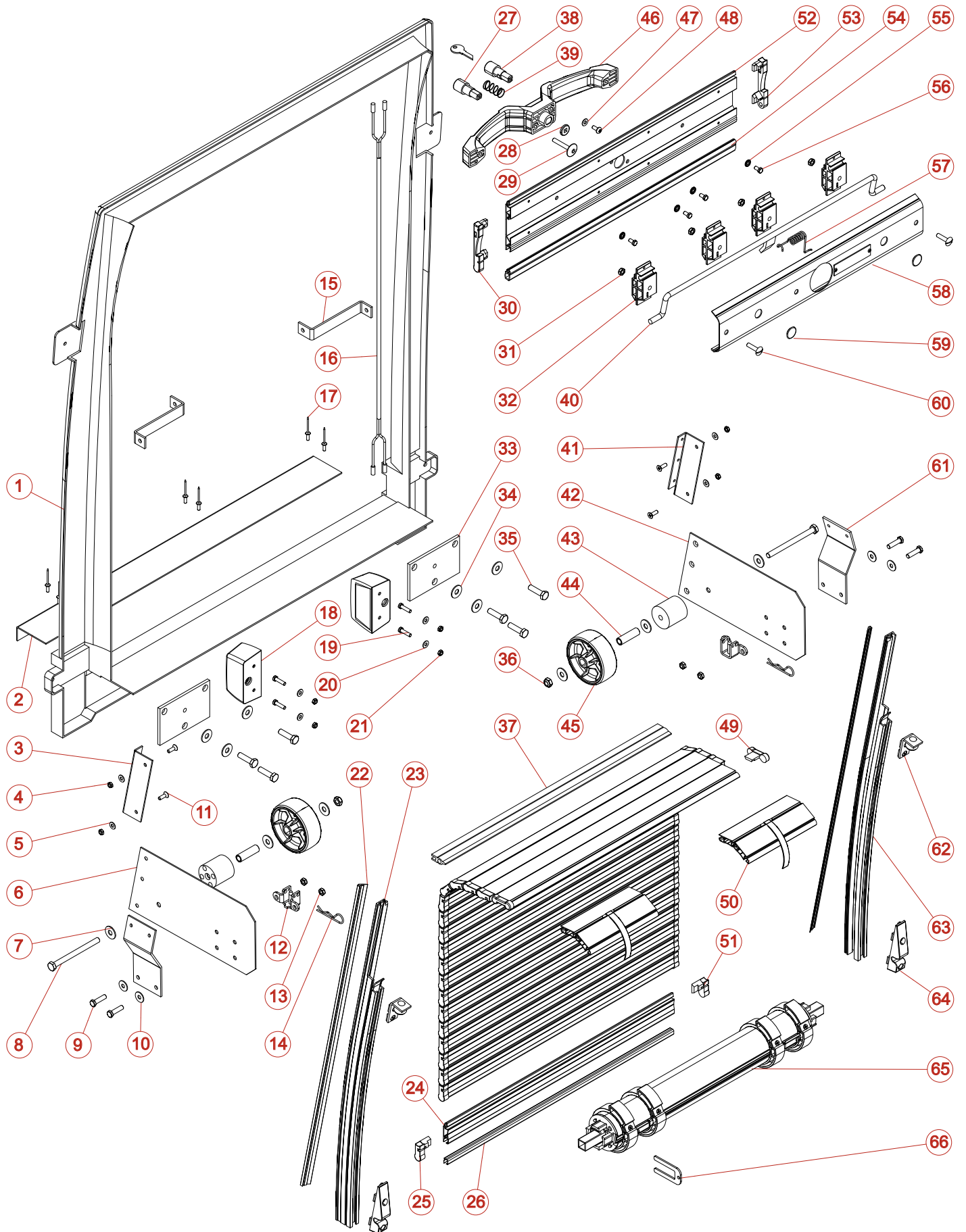
Our ALUKIT for IVECO Daily is available for H2 version.



### IVECO DAILY H2

Passing width : 1260 mm  
Passing height : 1700 mm

# EXPLODED VIEW ALUKIT DAILY H2



# ELEMENT LIST ALUKIT DAILY H2

REP	CODE	DESCRIPTION
1	6201	DAILY H2 POLYESTER FRAME
2	6210	DAILY DOORSTEP
3	6206	ANGLE BRACKET FOR LEFT SIDE PANEL DAILY
4	3320	STAINLESS LOCK NUT M 5
5	3319	STAINLESS RING M 5
6	6204	LEFT SIDE PANEL DAILY
7	3301	STAINLESS RING L 8
8	3300	STAINLESS SCREW TH 8 X 100
9	3303	STAINLESS SCREW TH 6 X 16
10	3304	STAINLESS RING L 6
11	3330	STAINLESS SCREW TF POZIDRIV 5 X 16
12	3139	ROLLER SUPPORT
13	3305	STAINLESS LOCK NUT M 6
14	3371	STAINLESS BETA PIN 2.5
15	6203	LATERAL REINFORCEMENT FOR DAILY
16	6230	ELECTRICAL CLUSTER
17	3245	ALU/STEEL STANDARD RIVET 4 X 12
18	6019	REAR-REGISTRATION-PLATE ILLUMINATION DEVICE
19	3346	STAINLESS SCREW TH 5 X 20
20	3319	STAINLESS RING M 5
21	3348	STAINLESS NUT HU M 5
22	2023	TRACK SEAL (M)
23	6212	LEFT TRACK FOR DAILY H2
24	1001	ABE SLAT 30 (M)
25	4002	LEFT SLAT CAP
26	2004	INNER SLAT SEAL (M)
27	4202	PUSH BUTTON
28	4201	DOUBLE HANDLE PLASTIC RING
29	3345	SCREW POELIER TORSQUE 6 X 30
30	4017	TERMINAL SLAT LEFT CAP
31	3503	ZINC-COATED LOCK NUT M 6
32	4251	FIXATION ROD BEARING
33	6202	POLYESTER FIXATION PANE
34	3301	STAINLESS RING L 8
35	3334	STAINLESS SCREW TH 8 X 30
36	3302	STAINLESS LOCK NUT M 8
37	2042	ALUKIT WATERPROOF TOP SEAL
38	3901 à 3920	CYLINDER FOR LOCK N° 1001 TO N° 1020
39	3226	COMPRESSION SPRING FOR PUSH BUTTON
40	3213	1 TO 1.5 M ROD
41	6207	ANGLE BRACKET FOR RIGHT SIDE PANEL DAILY
42	6205	RIGHT SIDE PANEL DAILY
43	4107	PLASTIC SPACER
44	3109	STEEL SPACER
45	4110	WHEEL 80 DIA
46	4200	MCD DOUBLE HANDLE

REP	CODE	DESCRIPTION
47	3319	STAINLESS RING M 5
48	3324	STEEL STAINLESS SCREW TC 5 X 12 POZIDRIV
49	4004	SLAT SPECIAL CAP
50	8114	LOOPS GUIDE
51	4003	RIGHT SLAT CAP
52	1101	TERMINAL SLAT (M)
53	4018	RIGHT TERMINAL SLAT CAP
54	2010	BOTTOM SEAL (M)
55	3307	STAINLESS RING AZ 5
56	3306	STAINLESS SCREW TH 5 X 10
57	3207	TORSION SPRING FOR ROD
58	1200	COVER (M)
59	4208	CAP COVER
60	3335	STAINLESS TRL POELIER 6 X 25
61	6208	DAILY SIDE PANEL REINFORCEMENT
62	8117	COMPLETE UPPER STOP
63	6213	RIGHT TRACK FOR DAILY H2
64	8115	COMPLETE ROD LOCK SYSTEM
65	8001	ROLLER 62
66	3108	BLOCKING FORK