

MOBILE FOAM UNIT



TECHNICAL DATA :

MODEL	MF for Stainless Steel or Steel Tank MF-A for Fibre Glass Tank.
FOAM CONCENTRATE STORAGE CAPACITY	160 liters. for Model- MF-A 150 to 220 Ltrs. for Model - MF
FOAM INDUCTOR	225 or 450 LPM capacity at 7 Kg./ sq.cm. pressure. Induction - 3% or 6%
MATERIAL	Concentrate tank - MF - Stainless Steel or Steel with or without internal lining. MF-A With Fibre Glass Tank. Inductor - Aluminium (optional Bronze or SS) Branch pipe - Aluminium Hose - Optional supply as per requirement. Concentrate - Optional supply as per requirement.
WHEEL	Rubber wheel
FINISH	Yellow
ORDERING INFORMATION	Please specify: 1) Model and material of construction for storage tank 2) Type of wheel 3) Type of concentrate & hose requirement. 4) Concentrate storage capacity.

APPLICATION

Mobile Foam Unit is used for effective quick application of foam to fight spill fires in high risk areas such as storage tanks, loading terminals, port areas and similar high risk zones.

SPECIFICATION

It is a self contained unit with foam inductor, foam branch pipe, foam concentrate storage tank, and two length of fire hoses. It requires only connection to a suitable water supply. It is easy to operate, move and requires minimum manpower.

Foam concentrate storage tank is made out of fiber glass / stainless steel or steel with internal lining. The foam branch



pipe and fire hoses are mounted on the concentrate storage tank. The foam inductor is clamped rigidly on the storage tank. The complete unit is mounted on two wheels with a handle for easy movement.

TESTING AND MAINTENANCE

After few initial successful tests, an authorised person must be trained to perform inspection and testing of the unit. It is recommended to carry out physical inspection of the unit, the inspection should verify that no damage has taken place to any component of the unit. Each unit must be operated with full flow frequently in accordance to the guidelines of the organisation having local jurisdiction.

The owner is responsible for maintaining the equipment in proper operating condition.

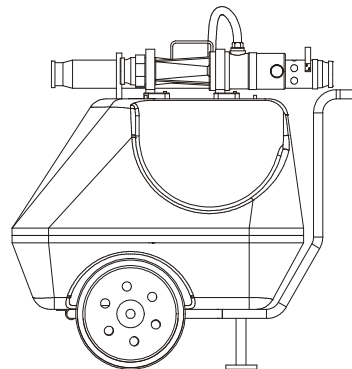
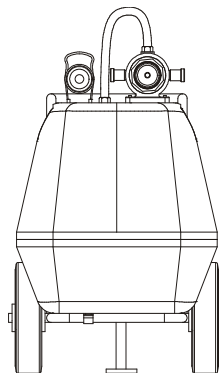
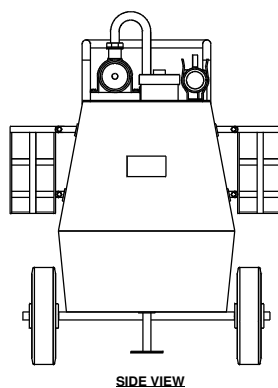
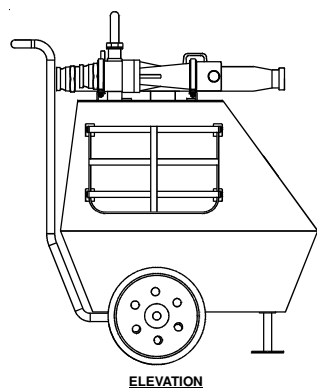
CAUTION:

Appropriate guidance and training must be given to authorised person for proper operation of equipment

Application of water or foam on an electric appliance can cause injury. The water supply to unit must be increased gradually, a sudden surge of water supply to the unit must be avoided.

MODEL MF

MODEL MF-A



LIMITED WARRANTY

Products manufactured by K.V. FIRE CHEMICALS (I) PVT.LTD. are warranted against defects in material and workmanship for a period of Two (2) years from the date of shipment.

KV's obligation under this warranty is limited to replace or repair the products or its parts, which are shown to KV's examination to be in a defective condition attributable to KV. No warranty is given for products or components which have been subject, to misuse, improper installation, corrosion, wear and tear, improper storage, modification or repaired. If the defect attributable to KV cannot be rectified by repair or replacement, then KV may elect to refund the purchase price of the equipment in complete discharge of its obligation under this Limited Warranty.

IN NO EVENT SHALL K.V. FIRE CHEMICALS (I) PVT. LTD. BE LIABLE IN CONTRACT, STRICT LIABILITY OR ANY OTHER LEGAL THEORY, FOR INCIDENTAL, IN-DIRECT, SPECIAL OR CONSEQUENTIAL DAMAGES, INCLUDING DAMAGES FOR INJURY TO PERSON OR DEATH OR DAMAGE TO PROPERTY AND OR PENALTIES RESULTING FROM ANY PRODUCTS OR COMPONENT MANUFACTURED OR ASSEMBLED BY KV. THIS IS LIMITED WARRANTY ONLY. KV DISCLAIMS WITH RESPECT TO THE PRODUCTS ALL IMPLIED WARRANTIES OF MERCHANTABILITY AND ALL IMPLIED WARRANTIES OF FITNESS FOR A PARTICULAR PURPOSE. THERE IS NO WARRANTY OF ANY NATURE MADE BY KV BEYOND AS STATED ABOVE.

NOTICE :

The equipment presented in this bulletin is to be installed in accordance with the latest publication standards of NFPA or other similar organisations and also with the provision of government codes or ordinances wherever applicable.

The information provided by us are to the best of our knowledge and belief, and are general guidelines only. Site handling and installation control is beyond our reach. Hence we give no guarantee for result and take no liability for damages, loss or penalties whatsoever, resulting from our suggestion, information, recommendation or damages due to our product.

Product development is a continuous programme of K.V. FIRE CHEMICALS (I) PVT. LTD. and hence the right to modify any specification without prior notice is reserved with the company.