

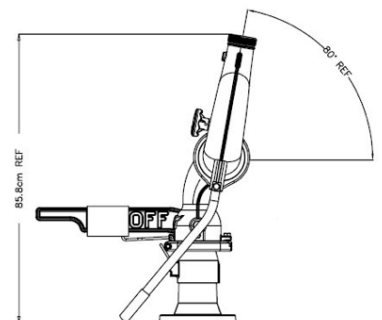
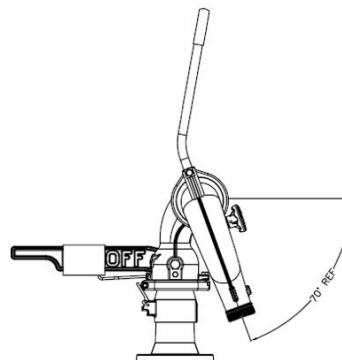
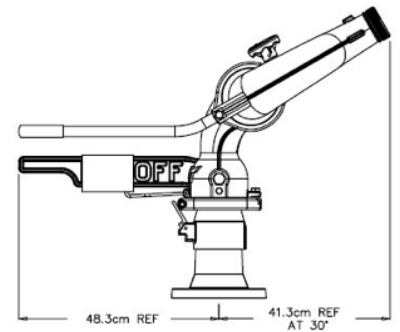
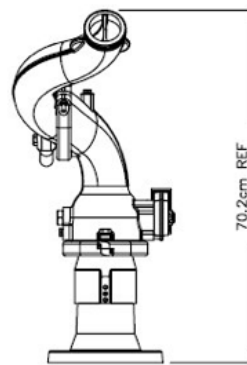


# Petrojet

## Manually operated fixed monitor

### A revolutionary design which reduces maintenance to a minimum

- A multiplicity of versions for a **new design** !
- Monitor with or without ON/OFF position indicator valve.
- **Robustly constructed in aluminium.**
- Can be locked at the required angle of flow either vertically or horizontally without damage to the material.



- Ultra-reduced maintenance
- Great reach
- Built-in stainless steel valve

# CHARACTERISTICS

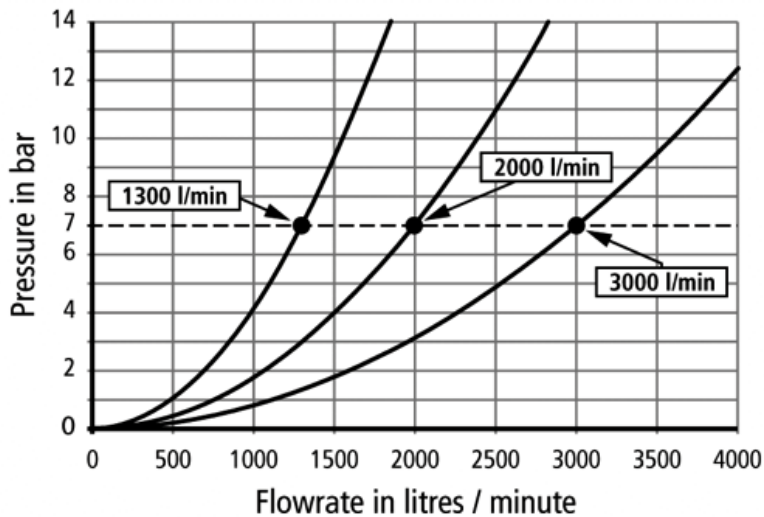
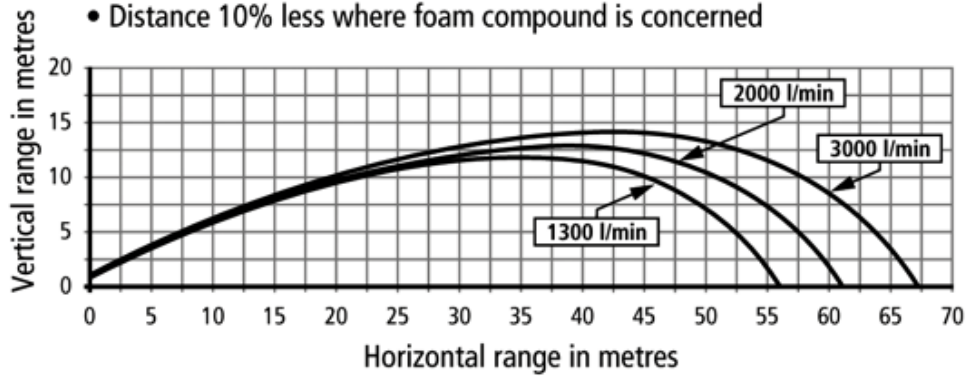
	PETRO-JET with valve outlet 2" ½ BSP MALE	PETRO-JET without valve outlet 2" ½ BSP MALE
PN 16 / DN 80*	I12.00.058	I12.00.060
3" ASA 150 PN 20 / DN 80*	I12.00.082	I12.00.086
Weight	P = 16,3 kg	P = 13,2kg

\* DN 100 (4 ") on request for flowrates of more than 3000 L/MIN.



### Test conditions - Pressure 7 bar

- Approximate distance of the jet at an angle of 30°
- Wind speed zero
- Distance 10% less where foam compound is concerned



ZF02.019.EN.1

As it is our policy to constantly seek to improve our products, we reserve the right to change the specifications of our equipment without notice.

