

Scorpion® RF

- Wireless electronic technology (W.E.T.®) eliminates the need to operate a monitor from atop an apparatus, as recommended by NFPA 1901
- No control wiring — requires only 2-wire power connection
- Self-contained relay box is permanently mounted on the monitor — eliminating the need to mount external boxes
- Wireless control allows operator to be removed from the apparatus and see the stream for positioning — from up to 1/4 mile away with hand-held transmitter
- Patent pending easy on-scene programming of oscillation for exposure protection or hazardous material suppression
- Unlimited number of monitors may be operated interference free
- Several ISM bands available for license free use around the world
- Efficient at high flows — 4" fully-vented waterway

Liquid-filled pressure gauge

Choice of corrosion resistant brass or lightweight Elk-O-Lite® construction

Motors and control system components sealed to NEMA 4 rating



Fully-vented waterway for low friction loss and optimum stream quality

Receiver controls are integral to the monitor

2-wire installation (ground and power wires only)

Fully-enclosed steel worm gears

2000 GPM

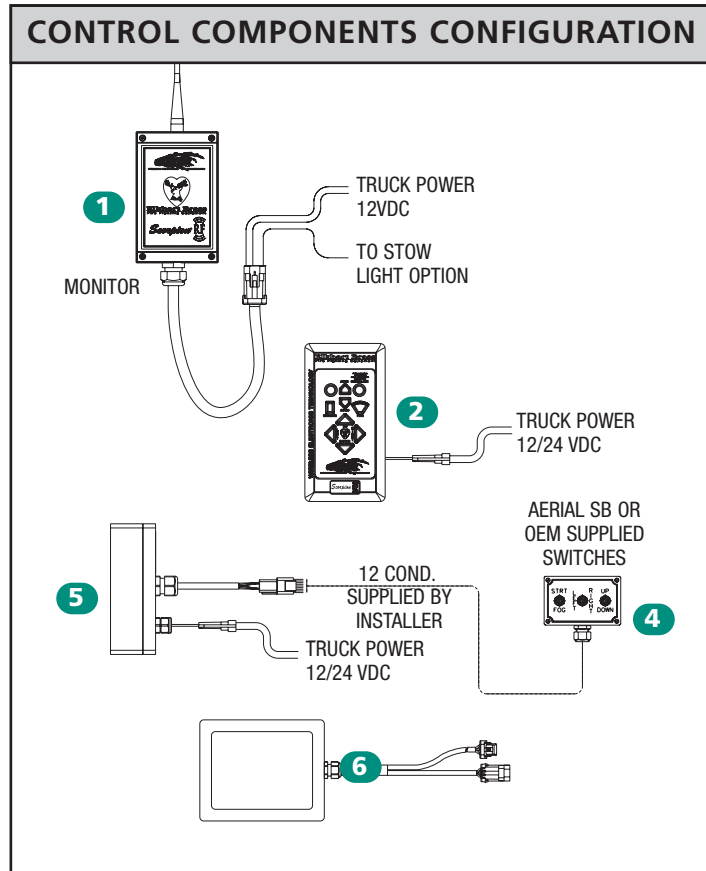
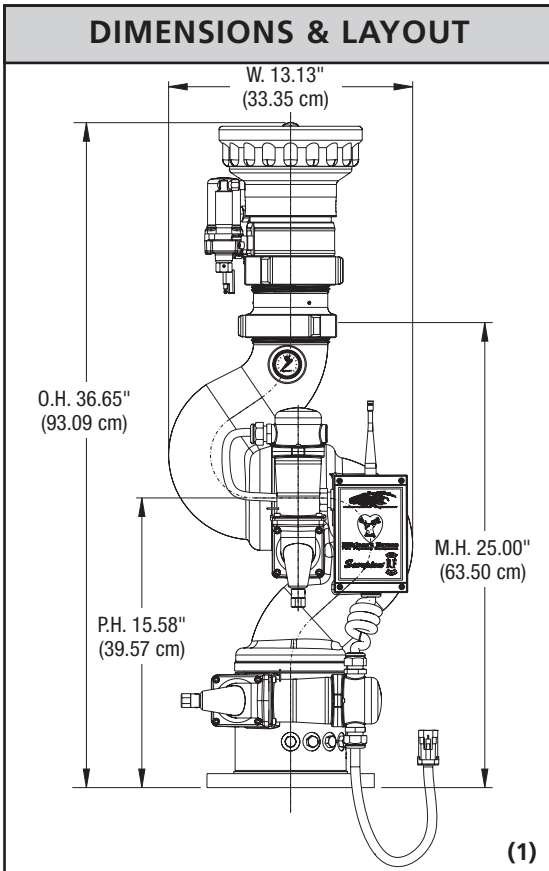




SCORPION® RF

SPECIFICATIONS			
Max. GPM (LPM)	2000 (7570)		
Inlet	Size	Type	
	4"	150# ANSI Flange	NPT (F)
Outlet Size	3.5" NHT		
Control	Wireless (W.E.T.®)		
Materials/Finish	Brass or Elk-O-Lite® with red urethane enamel		
Friction Loss	39 psi at 2000 gpm		
	15 psi at 1250 gpm		
Travel	V -45° to +90° (135°)		
	V -45° to +170° (215°)		
	H 180° or 347°		
Weight	Variable (see chart for specifics)		
Max. Power Requirement	4.0 Amps at 12V DC (24V opt)		
Ratings and Certifications	CE		

KEY CONFIGURATIONS (ACCESSORIES)	
 PANEL MOUNT CONTROL (2)	 HAND HELD TRANSMITTER (3)
 AERIAL SWITCH BOX (4)	



ADDITIONAL INFORMATION

- Marine Brass (85-5-5-5) construction is available. Please inquire with our sales staff.
- Technical Data on monitor performance may be found on page T-10.

Scorpion® RF Selector Guide

INLET SIZES/ TYPES		OUTLET SIZE	VERTICAL TRAVEL		HORIZONTAL TRAVEL		AVAILABLE RF FREQUENCIES			VOLTAGE	PRIMARY CONTROLLER		MATERIAL		CERTIFICATION	MODEL
4" NPT	4" 150# ANSI Flange	3.5" NHT	135°	215°	180°	347°	868 MHz	915 MHz	920 MHz	12V DC	Panel Mount	OEM Transmitter	Brass (126 Lbs.)	Elk-O-Lite® (43 Lbs.)	CE	
o	s	•	•	•		•	o	s	o	•	s	o		•	•	8294-06
o	s	•	•	•	•		o	s	o	•	s	o		•	•	8294-06EXT
o	s	•	•	•		•	o	s	o	•	s	o	•	•	•	8394-07
											2	5	1	1		Illustration

KEY s = standard o = option

Components & Options Chart

COMPONENTS & OPTIONS	ILLUSTRATION	MODEL
Controllers System requires either a panel mount or OEM transmitter. Up to 15 additional controllers of any type may be added.	Panel Mount – Operator control (accepts 12-24V DC) typically utilized as an apparatus mounted primary controller as required by NFPA. Additional panel mount controllers may be added to any system for secondary control.	2
	OEM Transmitter – Operator control interface (accepts 12-24V DC) to OEM supplied switches or aerial switch box (below). May be assigned as the NFPA required primary controller or as a secondary controller.	5
	Hand Held Remote – Wireless remote control. May not be used as a primary controller. Requires 2 AA batteries.	3
Aerial switchbox	Surface-mount toggle switch box – operation requires OEM transmitter.	4
24V converter	24V to 12V – required for monitor only	
Auxiliary battery pack	Back up to truck power (12V)	6
Companion flange kits	4" 150# ANSI steel flange with bolts and gaskets	81317001

Recommended Products

SM-1250E – X-STREAM®	SM-2000BE – X-STREAM®	284A/B – STREAM SHAPER	181-3 – DELUGE TIP	ST-195 – STACKED TIP	84 – BUTTERFLY WAFER VALVE
					
Page 6-7	Page 6-7	Page 1-27	Page 1-29	Page 1-29	Page 5-73

SAFETY FEATURES

- W.E.T.® monitors from Elkhart Brass promote firefighter safety and increase fireground effectiveness.
- NFPA 1901 recommends the use of remotely operated monitors “without the need for a person to climb to the top of the apparatus.”
- Fireground personnel can tend monitor without being located at the apparatus.

Product Highlights

- A version of the Scorpion® RF with 215° vertical travel is now available for aerial ladders with either standard or pinned waterways. Vertical travel to 215° allows extreme versatility in stream position regardless of ladder elevation – even when the ladder is positioned below the horizontal. Advanced electronics also limit vertical travel when the waterway is retracted from the ladder tip (pinned waterway).
- The Scorpion® RF is designed to be installed with a minimum of necessary wiring. A simple 2-wire connection – ground and power wires only – dramatically reduces installation costs.