

## IG55 EXTINGUISHING CABINET

Dokument Ig55släckskåpeng.doc-/R/03-05-22

Flik 15

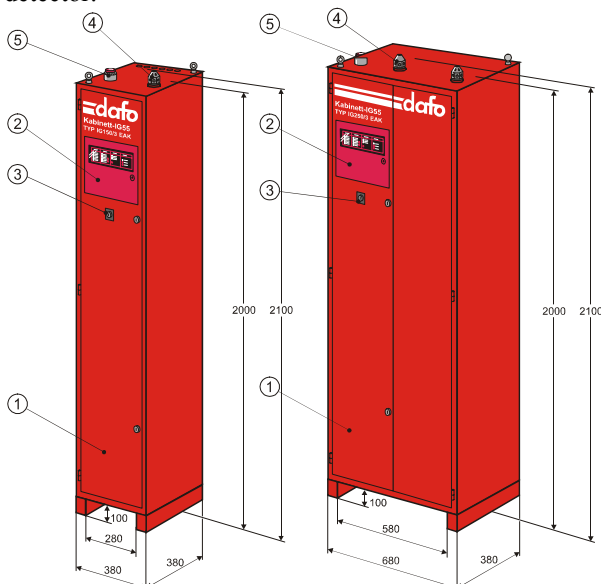


### System design

The system consists of a cabinet (1) with one or two cylinders of IG55 connected to one nozzle (4) per cylinder.

The system is controlled and supervised by a control unit (2) mounted in the front of the cabinet and detectors mounted inside the protected hazard. The cabinet is equipped with an optical and acoustical alarm (5) that activates in case of fire or system release. The system can be isolated by means of a key operated switch (3) located on the cabinet front. Manual pull stations and remote displays (system release/isolated) can be placed in suitable locations. In case of alarm, relay outputs enables automatic shutdown of ventilation, remote alarms etcetera.

The system is supplied with conventional smoke detectors or with a Stratos Micra high sensitive aspirating smoke detector.



**IG55 is a safe, environmentally friendly and clean extinguishing agent for total flood applications.**

**IG55 is a mixture of Nitrogen and Argon that extinguishes fire by oxygen depletion.**

**IG55 extinguishing cabinets are intended for smaller hazards and offers complete fire protection with a minimum of installation.**

**Upon release the agent reduces the oxygen level to a point where fire can no longer occur but still is breathable to humans which makes IG55 ideal to use in normally occupied areas.**

### System performance

The system is cross-zone dependable. When a detector on either zone 1 or zone 2 or level one of the aspirating detector is activated, a fire alarm is given. When both zone 1 and 2 or 2 levels on the aspirating detector is activated, the system is released.

IG55 is released in to the protected hazard through the cabinets nozzle (nozzles).

Optical and acoustical alarm is activated in case of fire or system release.

The system can be released by means of a pull station. The system can be isolated by means of a key operated switch. A remote display unit informs if the system is released or isolated.

When the system activates, relay outputs enables automatic shutdown of ventilation, remote alarms or other external functions.

Model	IG150/3 EAK	IG250/3 EAK
No. of cylinders	1 x 50 l 300 bar	2 x 50 l 300 bar
Protected volume	20-30 m <sup>3</sup>	40-60 m <sup>3</sup>
Detectors	Optical 2 off or Stratos Micra	Optical 4 off or Stratos Micra
Manual pullstation	Included	Included
Remote display	Included	Included
Dim WxDxH mm	380x380x2100	680x380x2100
Weight approx. Kg	140	250

For more information on IG55, control unit, detectors, etcetera, please consult appropriate product sheet.