

# SEARCHCAM<sup>®</sup> Recon III

**NEW**

**Grab & Go... Ready to Use:**

- **Tech Search & Rescue Ready**
- **One Button Operation**
- **Cost Effective**



Each detent Represents  
15° of camera movement.



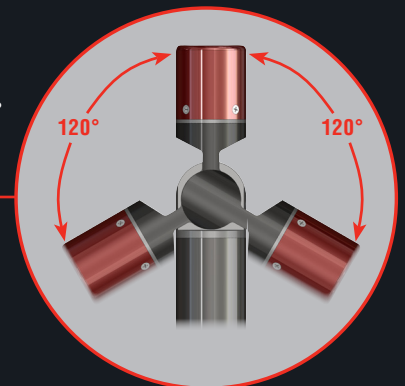
**SUSAR/USAR/First Responders/  
Rescue Squads/ Fire Marshals**

- **Structural Collapse**
- **Vehicle Extrication**
- **Underwater Search**
- **Victim Location**
- **Building Search & Inspection**

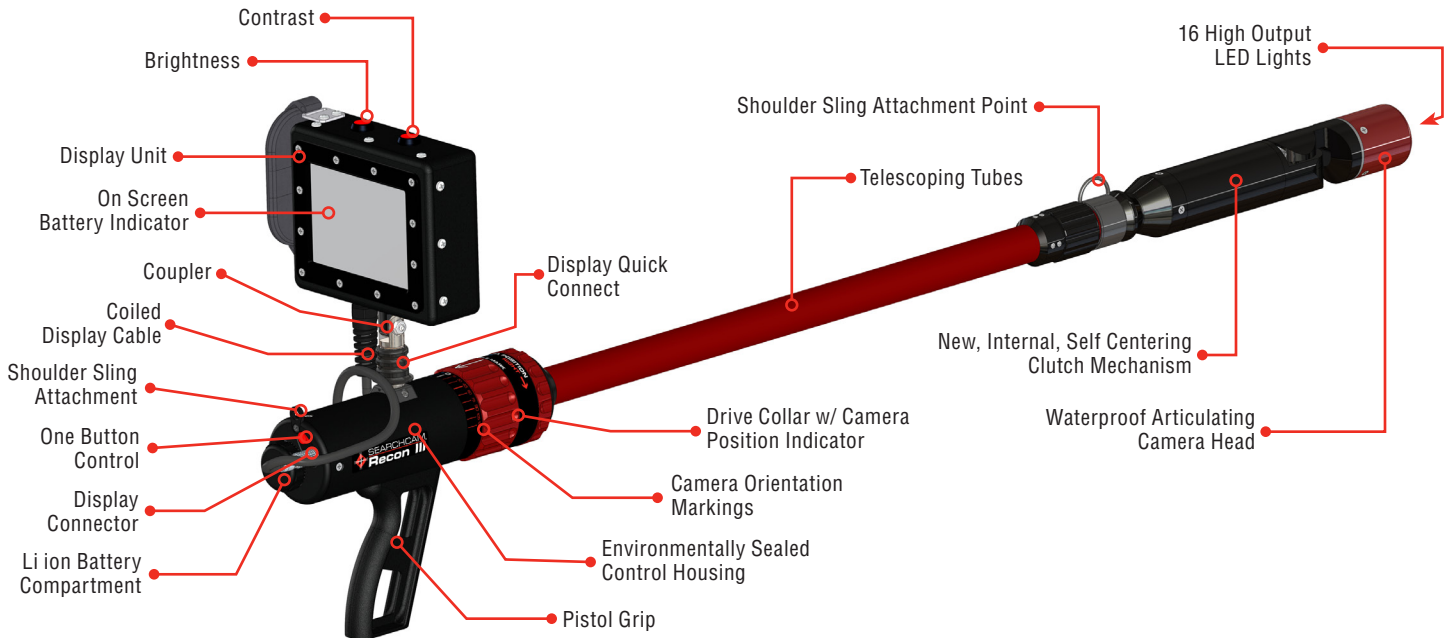
16, High Output  
LED Illumination.



Camera head articulates 240°  
from full left to full right.



The Recon III camera has been completely re-designed to provide unparalleled reliability, durability and ease of use to meet and exceed the operational requirements of a rescue squad or medium/light USAR capability. Building upon the success of the popular Recon II, the Recon III fits today's demanding requirements and more demanding Budgets. The New Recon III is affordable, versatile and ready to go.



The Recon III utilizes a 240 degree articulating camera head with variable high output LED lighting to achieve effective visual searching as close as a few inches to over 10 feet (3m) in total darkness. The display is attached to the control housing with a quick connect fitting and can be easily removed to extend the cameras reach. Articulation is accomplished by rotating the large glove friendly drive collar. The pistol grip handle makes positioning and handling intuitive and provides an easy reference for camera head orientation. The lack of external wires and belt packs make the Recon III camera extremely maneuverable and portable.

The Recon III is compatible with batteries and chargers of the SearchCam 3000 and Delsar LD3 and Delsar Mini Systems to aid with logistics on a large scale event. The Recon III is designed for rescue squads that understand the value of an adaptable visual search tool that can be used in a wide variety of operations and want the quality and features found only in a SearchCam product.

## Product Comparison Chart

	Recon II	Recon III
Waterproof Head	NO	YES (IP68)
Pistol Grip	NO	YES
Camera Head Articulation	180°	240°
Articulation Method	Gear	Cichy Drive
Large Drive Collar	NO	YES
Articulation Safety Clutch	NO	YES
Battery Type	Lead Acid	Li Ion Sticks
Delsar Compatibility	NO	YES
Battery Style	Belt Worn	Internal
Length	31" - 45" (79-115cm)	43" - 56.5" (109-143.5cm)
Lighting	16 LED's	16 High Output LED's
Cables	External	Internal
Camera Head Orientation Markings	NO	YES
Camera Diameter	1.85" (4.7cm)	1.85" (4.7cm)

### CANADA

#### Head Office

280-13775 Commerce Parkway  
 Richmond, B.C. V6V 2V4

Tel: 1.604.244.9323

Fax: 1.604.270.2138

email: sales@con-space.com

### USA

P.O. Box 1540  
 Blaine, WA 98231

Tel: 1.800.546.3405

Fax: 1.800.546.3410

email: sales@con-space.com

### UK & EUROPE

Sandyhill Park  
 Middleton  
 Matlock  
 Derbyshire  
 United Kingdom DE4 4LR

Tel: +44 (0) 7986 991057

email: nwhite@con-space.com



Member of the **savox** Group.

[WWW.CON-SPACE.COM](http://WWW.CON-SPACE.COM)

Printed in Canada SCR111 R00 Oct 2011