



Model 1CX05ELSD501
Motor-Pump-Unit
Without Pulse Hose

FEATURES

- Ultra-compact, direct-drive motor-pump-unit for portability and small spaces.
- Four-position head mounting for plumbing flexibility.
- Industrial stacked valves provide easy servicing.
- Concentric ceramic plunger and specially formulated seals provide extended seal life.
- Oil bath lubrication assures optimum drive-end lubrication.
- Pressure regulator offers precision pressure setting and over-pressure protection.
- Pulse Hose minimizes pulsation and lowers amp draw.

COMMON SPECIFICATIONS

Maximum RPM.....	1725 rpm	(1725 rpm)
Inlet Pressure Range.....	Flooded to 60 psi	(Flooded to 4 bar)
Bore.....	0.630"	(16 mm)
Crankcase Capacity.....	2.03 oz.	(0.06 l)
Maximum Liquid Temperature.....	up to 140°F	(up to 60°C)
Inlet Port.....	3/8" NPTF	(3/8" NPTF)
Discharge Port.....	1/4" NPTF	(1/4" NPTF)
By-Pass Port.....	1/4" NPTF	(1/4" NPTF)
Shaft Diameter.....	1/2"	(12.7 mm)
Weight (Pump Only).....	3.4 lbs.	(1.5 kg)
Dimensions (Pump Only).....	3.62 x 5.12 x 6.85"	(92 x 130 x 174 mm)

⚠ CAUTIONS AND WARNINGS

All High Pressure Systems require a primary pressure regulating device (i.e. regulator, unloader) and a secondary pressure relief device (i.e. pop-off valve, relief valve). Failure to install such relief devices could result in personal injury or damage to pump or property. CAT PUMPS does not assume any liability or responsibility for the operation of a customer's high pressure system.

Read all CAUTIONS and WARNINGS before commencing service or operation of any high pressure system. The CAUTIONS and WARNINGS are included in each service manual and with each Accessory Data sheet. CAUTIONS and WARNINGS can also be viewed online at www.catpumps.com/cautions-warnings or can be requested directly from CAT PUMPS.

WARRANTY

View the Limited Warranty on-line at www.catpumps.com/warranty.

Direct-Drive Misting Motor-Pump-Units

MPU Models With Pulse Hose

1CX013ELSPD251
1CX025ELSPD251
1CX05ELSPD501

MPU Models Without Pulse Hose

1CX013ELSD251
1CX025ELSD251
1CX05ELSD501

SPECIFICATIONS

U.S. Measure Metric Measure

MPU MODEL 1CX013ELSPD251 or 1CX013ELSD251

PUMP MODEL 1CX013ELS.MIST		
Flow.....	0.13 gpm	(0.49 lpm)
Pressure Range.....	100 to 1000 psi	(7 to 70 bar)
Stroke (Single Plunger).....	0.079"	(2.0 mm)

MPU MODEL 1CX025ELSPD251 or 1CX025ELSD251

PUMP MODEL 1CX025ELS.MIST		
Flow.....	0.25 gpm	(0.95 lpm)
Pressure Range.....	100 to 1000 psi	(7 to 70 bar)
Stroke (Single Plunger).....	0.130"	(3.3 mm)

MPU MODEL 1CX05ELSPD501 or 1CX05ELSD501

PUMP MODEL 1CX05ELS.MIST		
Flow.....	0.50 gpm	(1.89 lpm)
Pressure Range.....	100 to 1000 psi	(7 to 70 bar)
Stroke (Single Plunger).....	0.248"	(6.3 mm)

ELECTRIC HORSEPOWER REQUIREMENTS

MPU MODEL	FLOW		PRESSURE			RPM
			psi	psi	psi	
	U.S. gpm	lpm	500	800	1000	
1CX013ELSPD251	0.13	0.49	.06	.10	.12	1725
1CX025ELSPD251	0.25	0.95	.12	.19	.24	1725
1CX05ELSPD501	0.50	1.89	.24	.38	.47	1725

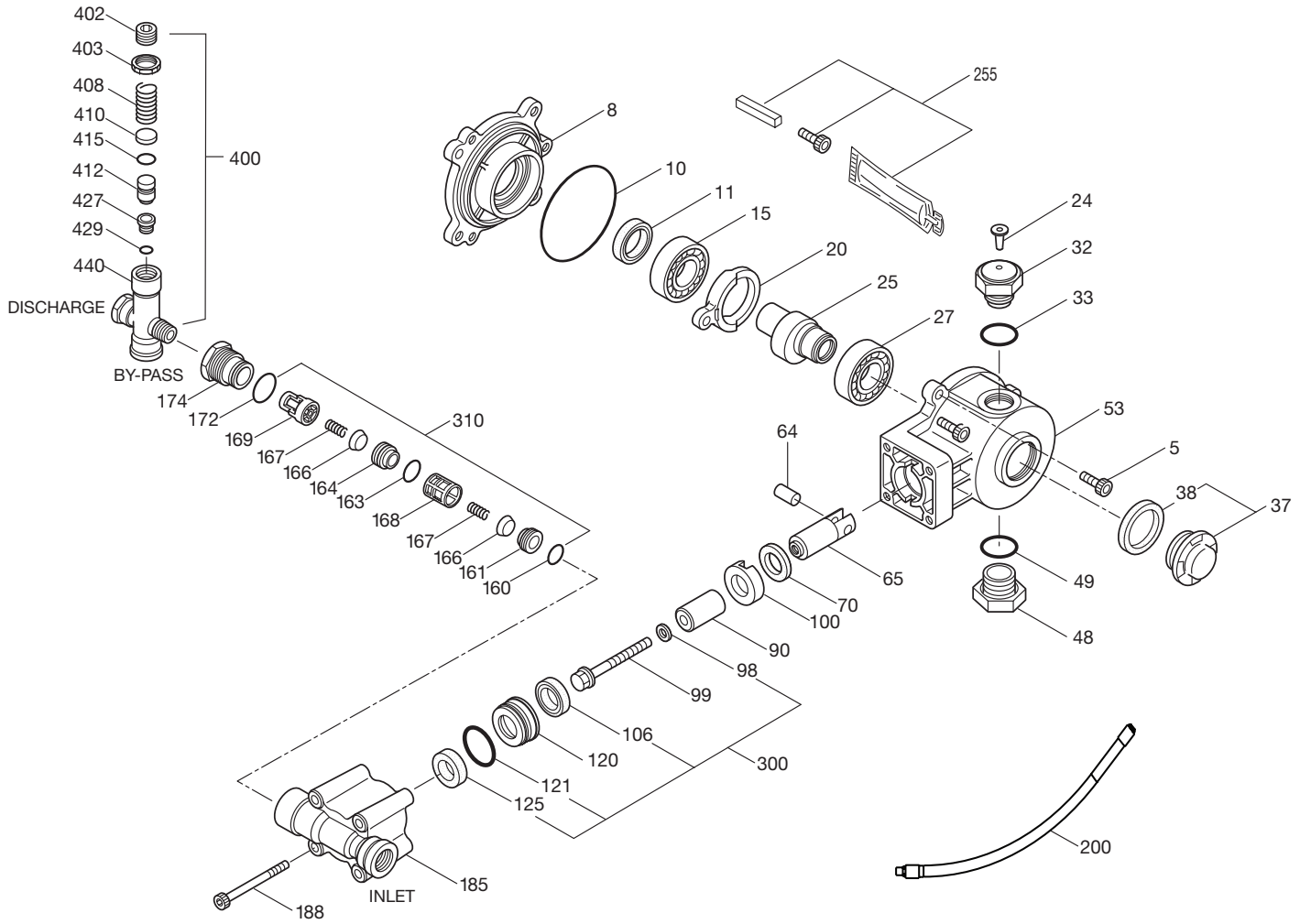
DETERMINING THE REQUIRED H.P. $\frac{\text{gpm} \times \text{psi}}{1060} = \text{Electric Brake H. P. Required}$

Refer to pump **Service Manual** for repair procedure and additional technical information.

"Customer confidence is our greatest asset"

EXPLODED VIEW

PLUNGER PUMP MODELS 1CX013ELSPD251, 1CX025ELSPD251, 1CX05ELSPD501



PARTS LIST

ITEM	P/N	MATL	DESCRIPTION	QTY	ITEM	P/N	MATL	DESCRIPTION	QTY
2	76059	STL	Key (1/8 sq x 1.5") (Included in 30555)	1	160	13965	NBR	O-Ring, Inlet Seat - 70D	1
5	180318	STCP R	Screw, Bearing Cover (M6x14)	3	161	545177	S	Seat, Inlet	1
8	49563	AL	Cover, Bearing	1	163	19285	NBR	O-Ring, Discharge Seat - 70D	1
10	14035	NBR	O-Ring, Bearing Cover - 70D	1	164	545178	S	Seat, Discharge	1
11	49565	NBR	Seal, Oil - 70D	1	166	46764	S	Valve	2
15	47862	STL	Bearing, Inner Ball	1	167	46865	S	Spring	2
20	49566	TNM	Rod, Connecting	1	168	543988	PVDF	Retainer, Inlet Spring	1
24	549608	LDPE	Plug, Oil Cap (remove before startup)	1	169	49569	PVDF	Retainer, Discharge Spring	1
25	49560	STL	Crankshaft - 1CX05ELS, 6.3 mm	1	172	11346	NBR	O-Ring, Discharge Fitting - 70D	1
	49602	STL	Crankshaft - 1CX013ELS, 2.0 mm	1	174	49570	BB	Plug, Valve w/1/4" NPTF Port	1
	49598	STL	Crankshaft - 1CX025ELS, 3.3 mm	1	185	49515	BB	Head, Manifold	1
27	47862	STL	Bearing, Outer Ball	1	188	89953	STCP	Screw, HSH (M6x55)	4
32	49557	ABS	Cap, Oil Filler w/O-Ring	1	200	76225	-	Hose, Pulse (3/8" x 24")	1
33	14179	NBR	O-Ring, Oil Filler Cap - 70D	1	255	30555	STZP R	Assy, Bolt Mount	1
37	92241	-	Gauge, Bubble Oil w/Gasket - 80D	1	300	76063	NBR	Kit, Seal (Incls: 98, 106, 121, 125)	1
38	44428	NBR	Gasket, Flat Flex, Oil Gauge - 80D	1	310	76033	NBR	Kit, Valve (Incls: 160, 161, 163, 164, 166, 167, 168, 169, 172)	1
48	44842	NY	Plug, Drain	1	400	7555	BB	Regulator	1
49	14179	NBR	O-Ring, Drain Plug - 70D	1	402	49681	BB	Cap, Hex Adjusting	1
53	49554	AL	Crankcase	1	403	49682	BB	Nut, Locking	1
64	46229	STL	Pin, Crosshead	1	408	48341	STZP	Spring	1
65	542402	BB	Rod, Plunger	1	410	549352	STCP R	Retainer, Spring	1
70	47215	NBR	Seal, Oil - 70D	1	412	49573	S	Stem, Piston	1
90	542403	CC	Plunger (M16x27)	1	415	14759	NBR	O-Ring, Piston Stem - 70D	1
98	46730	NBR	Washer, Seal - 90D	1	427	49574	S	Seat	1
99	542405	S	Retainer, Plunger (M6x35)	1	429	25300	NBR	O-Ring, Seat - 70D	1
100	46233	D	Retainer, Seal	1	440	-	BB	Body	1
106	48222	NBR	Seal, LPS w/S-Spg - 85D	1	468	31555	NBR	Kit, O-Ring (Incls: 172, 415, 429)	1
120	547357	BB	Case, Seal	1	-	8180	-	Motor, 1/4 Hp 1ph (1CX013ELS.MIST,025ELS)	1
121	13976	NBR	O-Ring, Seal Case - 70D	1	-	8182	-	Motor, 1/2 Hp 1ph (1CX05ELS.MIST)	1
125	46240	NBR	Seal, HPS w/S - 85D	1					

Bold part numbers are unique to a particular pump model. Italics are optional items. R Components comply with RoHS Directive.

See Tech Bulletins 002, 024, 036, 043, 074 and 083 for additional information.

MATERIAL CODES (Not Part of Part Number): ABS=ABS Plastic AL=Aluminum BB=Brass CC=Ceramic D=Acetal

LDPE=Low Density Polyethylene NBR=Medium Nitrile (Buna-N) NY=Nylon PVDF=Polyvinylidene Fluoride S=304SS STCP=Steel/Chrome Plated

STL=Steel STZP=Steel/Zinc Plated TNM=Special High Strength

OPERATION:

A pressure regulator is included with each 1CX plunger pump. The regulator is not pre-set at the factory. Set system pressure once the system is started. Start at the lowest pressure reading and adjust the hex adjusting cap in small increments until the desired system pressure is attained. Remember to service the regulator on the same schedule as the pump seals and valves. Refer to 1CX service manual for start-up, servicing of seals and valves, torque requirements and diagnosis/maintenance chart.

INLET:

It is recommended to install a flexible hose at the pump inlet. Assure flooded or up to 60 psi inlet pressure for optimum performance. Install an inlet filter to remove standard water debris.

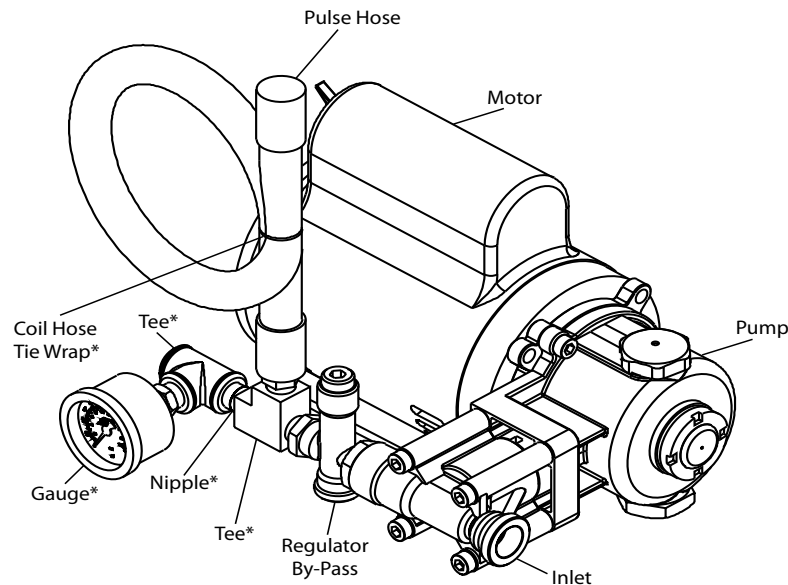
DISCHARGE:

All discharge plumbing for the 1CX pump connects to the regulator outlet port.

PULSE HOSE MOUNTING:

Mount the pulse hose by installing a tee fitting into the regulator outlet port. Install the pulse hose into the top port. Coil hose and tie wrap as shown. Add nipple with a tee to mount pressure gauge. The other end of the pulse hose is plugged to capture the pulse.

Note: Without a pulse hose, the pump may draw as much as 2 additional AMPS above full load AMPS.



Typical Set-Up (*Not Supplied With Motorized Pump Unit)

BY-PASS:

The regulator by-pass is at the bottom. Connect a 1/4" flexible hose and route to inlet of pump, to tank, or to drain.

NOTICE:

By-pass to the pump inlet is designed for cold water or ambient temperature operation.

DO NOT EXCEED 6 MINUTES IN BY-PASS

operation. Excessive temperatures will cause premature wear or damage to the pump and **VOID THE WARRANTY.**

MOTOR-PUMP-UNITS	1CX013ELSPD251
Weight	19.2 lbs
Dimensions	7.13 x 8.13 x 11.0

MOTOR	8180
Horsepower	1/4 Hp
Phase	Single
Hertz	60 Hz
Voltage	115V / 230V
rpm	1725 rpm
Full Load AMP*	2.8 / 1.4
Service Factor	1.0
Shaft Diameter	1/2"
Capacitors	Start and Run
Insulation Class	E
Motor Type	ODP
Compliance	RoHS, CSA

MOTOR-PUMP-UNITS	1CX025ELSPD251
Weight	19.2 lbs
Dimensions	7.13 x 8.13 x 11.0

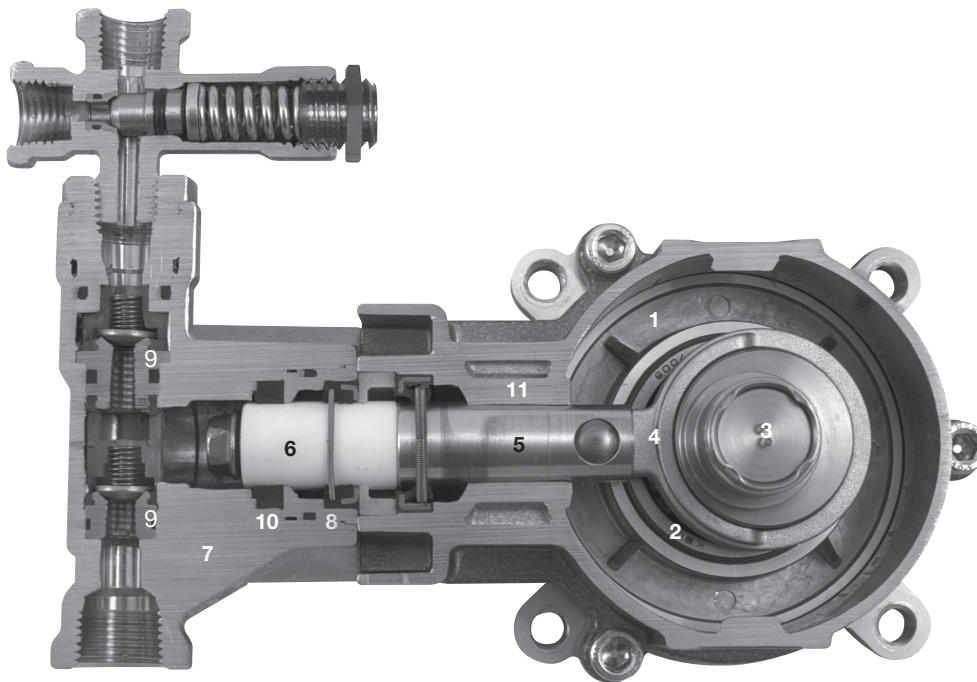
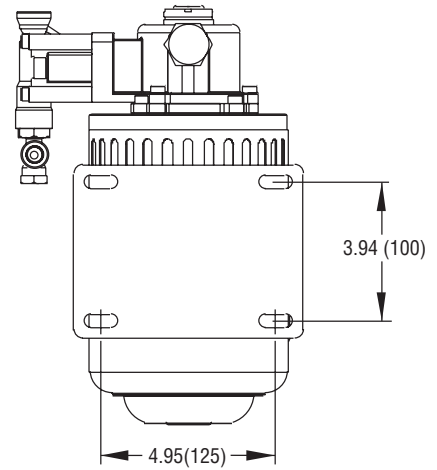
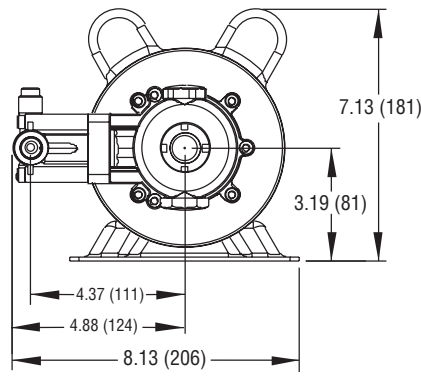
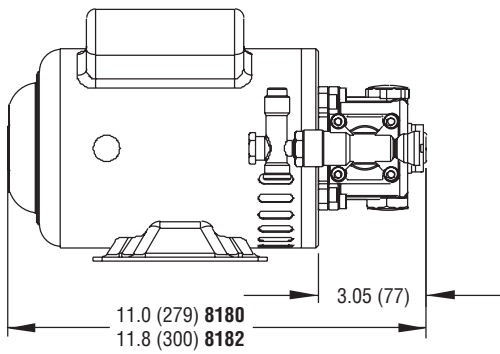
MOTOR	8180
Horsepower	1/4 Hp
Phase	Single
Hertz	60 Hz
Voltage	115V / 230V
rpm	1725 rpm
Full Load AMP*	2.8 / 1.4
Service Factor	1.0
Shaft Diameter	1/2"
Capacitors	Start and Run
Insulation Class	E
Motor Type	ODP
Compliance	RoHS, CSA

MOTOR-PUMP-UNITS	1CX05ELSPD501
Weight	24.2 lbs
Dimensions	7.13 x 8.13 x 11.8

MOTOR	8182
Horsepower	1/2 Hp
Phase	Single
Hertz	60 Hz
Voltage	115V / 230V
rpm	1725 rpm
Full Load AMP*	4.8 / 2.4
Service Factor	1.0
Shaft Diameter	1/2"
Capacitors	Start and Run
Insulation Class	E
Motor Type	ODP
Compliance	RoHS, CSA

Contact Cat Pumps for 50 Hz motor option.

***NOTE:** Without pulse hose AMP draw will increase as much as 2 AMPS depending upon pump model and discharge pressure.



- 1 Die cast flange-style aluminum **crank-case** means high strength, lightweight, and excellent tolerance control.
- 2 Heavy-duty dual crankshaft **bearings** provide extended drive-end life.
- 3 Steel **crankshaft** provides unmatched strength and surface hardness for long life.
- 4 High strength **connecting rods** assure durability and bearing quality.
- 5 Strong brass **plunger rods** for durability.
- 6 Special, concentric, high-density, polished solid ceramic **plunger** provides a true wear surface and extended seal life.
- 7 High tensile strength, brass **manifold head** with 4-way mounting position for flexible plumbing.
- 8 100% wet seal design adds to service life by allowing pumped liquids to cool and lubricate on both sides.
- 9 Stainless steel **valves, seats and springs** provide corrosion-resistance, ultimate seating and extended life.
- 10 Unique design and specially formulated **Hi-Pressure Seal** offers unmatched performance and seal life.
- 11 **Crossheads** are 360° supported for uncompromising alignment.

World Headquarters

Cat Pumps

1681 - 94th Lane N.E. Minneapolis, MN 55449 - 4324

Phone (763) 780-5440 — FAX (763) 780-2958

e-mail: techsupport@catpumps.com

www.catpumps.com

International Inquiries

FAX (763) 785-4329

e-mail: intlsales@catpumps.com



The Pumps with Nine Lives

CAT PUMPS (U.K.) LTD.

1 Fleet Business Park, Sandy Lane, Church Crookham

FLEET, Hampshire, GU52 8BF, England

Phone Fleet 44 1252-622031 — Fax 44 1252-626655

e-mail: sales@catpumps.co.uk www.catpumps.co.uk

N.V. CAT PUMPS INTERNATIONAL S.A.

Heiveldkens 6A, B-2550 Kontich, Belgium

Phone 32-3-450.71.50 — Fax 32-3-450.71.51

e-mail: cpi@catpumps.be www.catpumps.be

CAT PUMPS DEUTSCHLAND GmbH

Buchwiese 2, D-65510 Idstein, Germany

Phone 49 6126-9303 0 — Fax 49 6126-9303 33

e-mail: catpumps@t-online.de www.catpumps.de