

BLUE DEVIL

The higher standard in nozzles

BDS752

7-13-33-52 GPM @ 100PSI
1" Swivel



- **New design. Designed to work up to 580 psi**
- **Metal spinning teeth that are easier to replace**
- **Improved selection cylinder**
- **Deeper ribs in selector ring for better grip, even with gloves**
- **Permanent laser engraved flow information and position data**

BD3012

30-60-95-125 GPM @ 100PSI
1.5" Swivel



- **Select Gallonage: Four flow settings @ 100psi (Also available at 50 or 75psi (LP models))**
- **Flush without shutting down**
- **All models are individually tested**
- **New materials. Reinforced shaft**
- **Highly Durable and Impact Resistant**
- **Professional results**
- **Constructed of E-LITE with Brass Internal parts**

BD7515

75-100-125-150 GPM @ 100PSI
1.5" Swivel



- **Ergonomically designed for easy operation**
- **Full-time swivels, pistol grips that can be removed**
- **Available in NST and NPSH threads**

 **C & S Supply, Inc.**

6342 East County Road 18, Johnstown, Colorado 80534

Ph: 970-663-4966 • Toll Free: 888-663-4966 • Fax: 970-663-3878 • www.CSSupplyInc.com

VB1560 and VB3012 BOM (VALVE)

REFERENCE	PART NAME	PART #	QUANTITY
1	1" GASKET	GASKET_1	1
1a	1.5" GASKET	GASKET_15	1
2	1" SWIVEL	V-1" SWIVEL	1
2a	1.5" SWIVEL	V-1.5" SWIVEL	1
3	SWIVEL O-RING	V-ORING-SW-3012	1
4	BALL	V-BALL-3012	1
5	PISTOL GRIP	V-PG15V	1
6	BALL LOCATOR (2 PIECES)	V-BALLLOC-3012	1
7			
8	PISTOL GRIP SET PIN	V-SETPIN-3012	1
9	VALVE BODY	VLVBDY-BD3012	1
10	SEAT RETAINER (3 PIECES)	V-SEATRTRNR-3012	1
11			
12			
13	BALL ACUATOR (2 PEICES)	V-BALLACT-3012	1
14	PAN HEAD COVER	V-PANHEAD-3012	1
15	SWIVEL SET PIN	V-SETPIN-3012	1
16	BALL BEARINGS	V-BEARINGS-3012	32
17	HANDLE (BAIL)	V-HANDLE-3012	1

SHUTOFF USE:

- Open and close the valve slowly to reduce risk of water hammer.
- Pull the bail handle toward the swivel to OPEN the valve.
- Push the bail handle toward the tip of the nozzle to CLOSE the valve.

TIP USE:

- The Gallonage selector ring indicates the flow in gallons per minute at 100 psi.
- Flush setting is made to discharge obstructions from the nozzle while flowing water.
- Rotate the rubber bumper on the end to select spray pattern.

Maintenance:

- Test nozzle before putting into service.
- Clean nozzle by flushing with water after use.
- Use non-detergent soap to clean dirt from the exterior to reduce wear.
- Regularly check the bail handle screws that they are tight. If taken out

VB1560 and VB3012 AVAILABLE KITS

KIT#	KIT Name	PARTS CONTAINED
VVRK-3012	Valve Repair Kit Small	1,1a,3,4,6,7,10,11,12,13,14,15,16,17,18
VBSC-3012	Ball & Seat Combo Small	4,10,11,12
V-HH5-3012	Handle Hardware Small	6,7,13,14,15
V-SWKIT1560	Swivel Kit 1" Small	1,3,16,17
V-SWKIT3012	Swivel Kit 1.5" Small	1a,3,16,17

- use medium strength thread locker on the threads before reassembly.
- Periodically service your nozzle or have your fire equipment dealer service it.
- Normally serviced parts are the: Ball, Seat assembly, and the handle hardware (Ball locator screw, Actuator, Pan head cover).

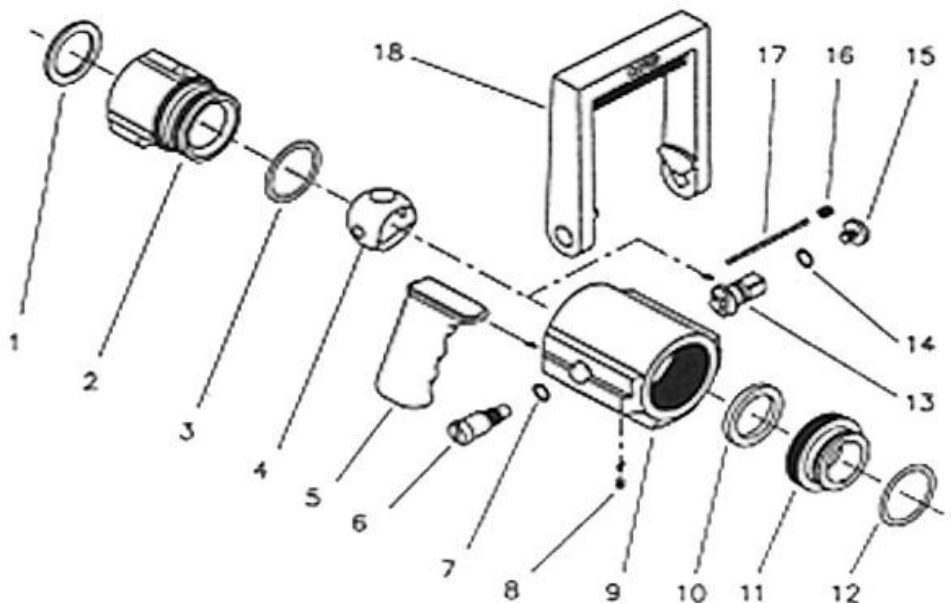
⚠ DANGER

**PLEASE BE RESPONSIBLE!
PLEASE BE CAREFUL!**

THE USER OF THIS EQUIPMENT IS PERSONALLY RESPONSIBLE FOR THE FOLLOWING:

1. You need to know and understand that Fire-fighting and Emergency response is dangerous and proper training is needed.
2. You need to be physically fit and skillful in the use of any equipment that you may need to use.
3. You need to know that your equipment is in proper working order.
4. You need to know carelessness or negligence may result in injury or death.

**PLEASE BE RESPONSIBLE!
PLEASE BE CAREFUL!**



C & S Supply, Inc.

6342 East County Road 18, Johnstown, Colorado 80534
Ph: 970-663-4966 • Toll Free: 888-663-4966 • Fax: 970-663-3878 • www.CSSupplyInc.com