

**AMERICAN AVK BREAKABLE FLANGE UNIT & TRAFFIC REPAIR KIT
FOR WET BARREL HYDRANTS**
For all AVK Wet Barrel Hydrants

**24/8XX
WBHTRAFFIC**

Standard Materials:

Break Rings

Ductile Iron ASTM A536

Wet Barrel Flange Section

Grey Iron ASTM A126 class B

Bolts, Nuts, Washers

Zinc plated steel

O-Ring

Nitrile rubber

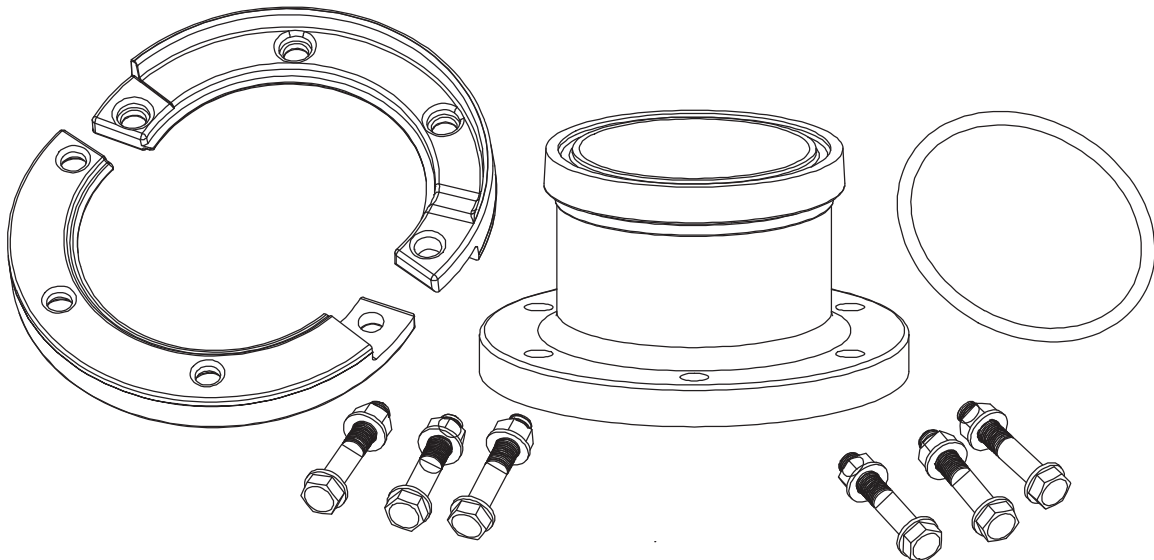
Coatings

Breakable Flanges - Fusion bonded epoxy coated.

Optional Materials:

Bolts, Nuts, Washers

Stainless steel, 304, 316



American AVK Company
an ISO 9001 registered company

DS S248XX WBHTRAFFIC
Subject to change without notice. (rev. 03/10)

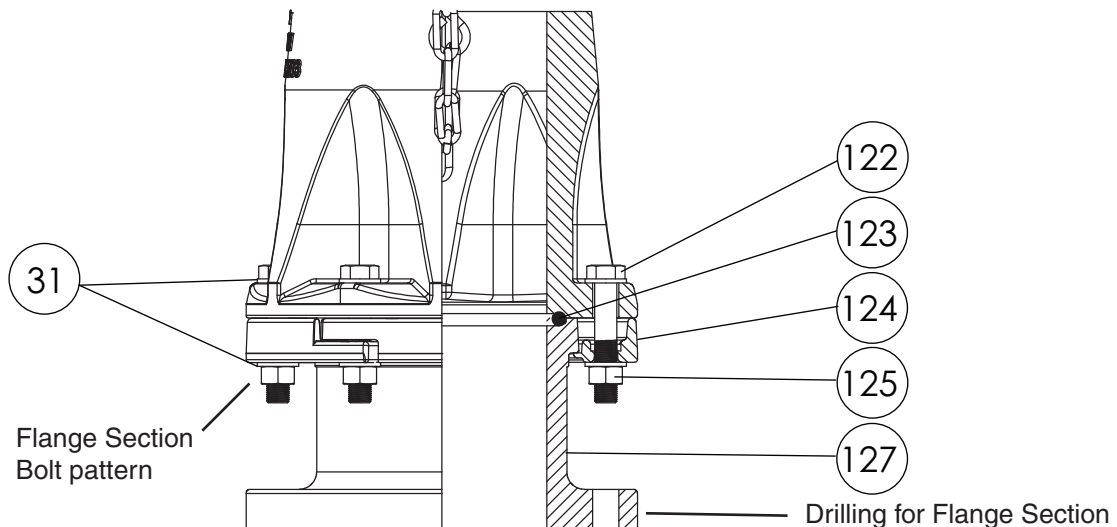
AMERICAN AVK BREAKABLE FLANGE UNIT & TRAFFIC REPAIR KIT
FOR WET BARREL HYDRANTS
 For all AVK Wet Barrel Hydrants

24/8XX
WBHTRAFFIC

Component List:

- 31. Washer
- 122. Nozzle Section Bolt
- 123. Flange Section O-ring
- 124. Break Ring
- 125. Nut
- 127. Flange Section*

* Traffic Repair Kit does not include Flange Section



Ref. nos.	Content	Weight Lbs.
24-150-8X-X-X-XX	Traffic section repair kit	24
	XX - Coating 00 - Blue 01 - Red 03 - Yellow 24 - Red Polyurethane	
	X - Drilling for Flange Section 0 - Standard (6 holes) 2 - ANSI B16.1, Class 125 3 - San Diego drilling	
	X - Bolting 0= Bolts are not included 1= Bolts, Nuts, and Washers - Zinc Plated steel 2= Bolts, Nuts, and Washers - Stainless Steel 304 3= Bolts, Nuts, and Washers - Stainless Steel 316	
	X - Flange Section / Bolt pattern 0= Flange section Kit with 6 hole break ring 2= Break ring (2/2 parts) (6 holes) 4= Flange Section 6= Break ring (2/2 parts) (8 holes) 9= Flange section Kit with 8 hole break ring	

