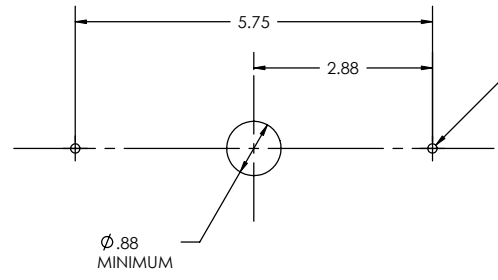
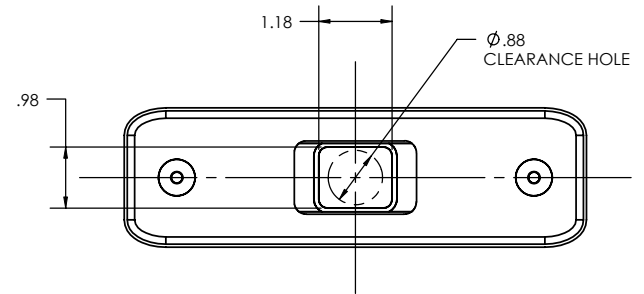
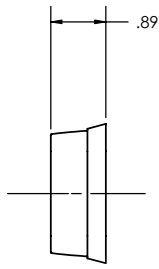
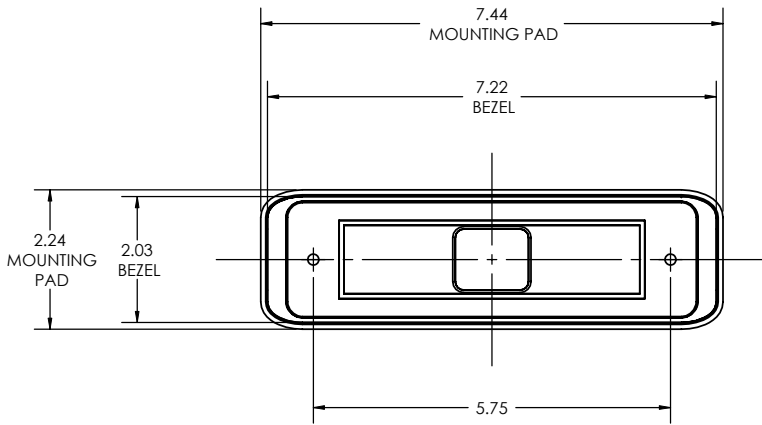


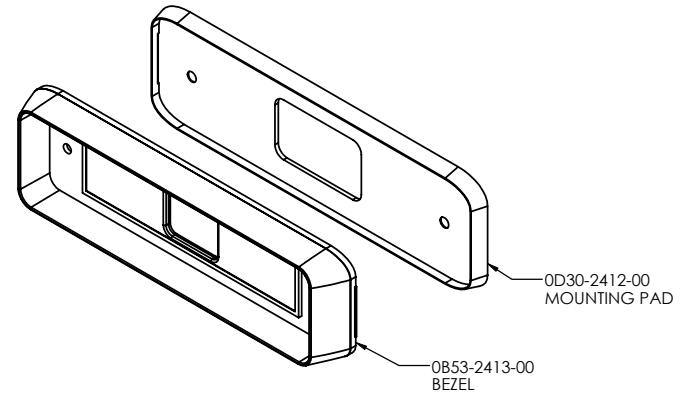
THIS DRAWING AND ALL INFORMATION CONTAINED HEREIN IS THE PROPERTY OF WELDON TECHNOLOGIES, INC. AND MAY NOT BE COPIED, REPRODUCED, OR DIVULGED TO UNAUTHORIZED PERSONS WITHOUT THE EXPRESS WRITTEN CONSENT OF WELDON TECHNOLOGIES, INC. AS IT IS BEING PROVIDED SOLELY FOR THE CONVENIENCE OF THE USER AND SHALL BE RETURNED TO WELDON TECHNOLOGIES, INC. UPON REQUEST.

REVISIONS				
REV.	ECN	DESCRIPTION	DATE	BY / APVD
A	R0772	RELEASE FOR PRODUCTION	--	TB



HOLE FOR #6 SHEET METAL SCREW - 4 PLACES OR 0.25 HOLE WHEN USING SCREW GROMMETS SUPPLIED WITH LAMP

RECOMMENDED PANEL CUT-OUT



UNLESS OTHERWISE SPECIFIED DIMENSIONS ARE IN INCHES TOLERANCES ARE: X.XXX - ±0.005 X.XX - ±0.020 X.X - ±0.050 ANGLES - ±0.5°	CAD GENERATED DRAWING. DO NOT MANUALLY UPDATE		<b>WELDON TECHNOLOGIES, INC.</b>	
	APPROVALS	DATE		
	MATERIAL	DRAWN: BARNETT	9/19/08	DIAMONDBACK V26 BEZEL KIT CUSTOMER DRAWING
FINISH	CHECKED			
DO NOT SCALE DRAWING	PROJ. NO. 00164		SCALE: 1:2	

SIZE B PART NO. COB80-2495-00 REV. A