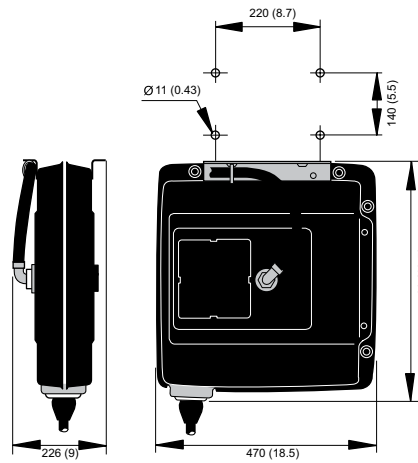


Hose Reel Series 883

A fully encased and robust, medium sized hose reel. Highly suitable for applications in vehicle repair and maintenance workshops.



- Spring tension easily adjustable from the outside
- Fast and easy to service
- Simple hose replacement without dismantling the reel



Use for	Max. working pressure, MPa (psi)	Distribution hose, Int. Ø, mm (in)	Distribution hose, Length, m	Connection hose Int. Ø, mm (in)	Connection hose, Length, m	Hose material	Hose type (see page 21)	Weight, kg	Reel with hose Part no.	Reel without hose Part no.
Air/ Water	1.5 (220)	10 (3/8)	15	12.5 (1/2)	1	Rubber	B	14-16	30800883	30800783
Air/ Water	1.5 (220)	12.5 (1/2)	10	12.5 (1/2)	1	Rubber	B	14-16	30801083	30800983
HP water	25 (3625)	10 (3/8)	13	10 (3/8)	1	Rubber	G	14-16	30802283	30802183
Oil	7.5 (1090)	12.5 (1/2)	10	12.5 (1/2)	1	Rubber	I	14-16	30801283	30801183
Grease	35 (5075)	6 (1/4)	15	6 (1/4)	1	Rubber	J	14-16	30801883	30801383

Material recycling: 100 %

Product availability may differ by country